

A-90/EX

EXPANDABLE CONTROLLER

SERVICE NOTES

First Edition

Issued by RJA

TABLE OF CONTENTS

SPECIFICATIONS
 LOCATION OF CONTROLS
 EXPLODED VIEW
 EXPLODED VIEW PARTS LIST
 BLOCK DIAGRAM
 KEYBOARD PARTS LIST
 KEYBOARD DISASSEMBLY
 PEDAL UNIT PARTS LIST
 TEST MODE
 SAVING AND LOADING USER DATA
 INITIALIZING THE INTERNAL RAM
 UPGRADING THE FLASH ROM SOFTWARE VERSION
 CIRCUIT BOARD (KEYBOARD PA-4A88AFT-F ASSEMBLY)
 CIRCUIT DIAGRAM (KEYBOARD PA-4A88AFT-F ASSEMBLY)
 CIRCUIT BOARD (MAIN)
 CIRCUIT DIAGRAM (MAIN)
 CIRCUIT BOARD (PANEL L)
 CIRCUIT DIAGRAM (PANEL L)
 CIRCUIT BOARD (PANEL R)
 CIRCUIT DIAGRAM (PANEL R)
 CIRCUIT BOARD (JACK B)
 CIRCUIT DIAGRAM (JACK B)
 CIRCUIT BOARD (JACK A / AFT)
 CIRCUIT DIAGRAM (JACK A / AFT)
 CIRCUIT BOARD (PS-TR)
 CIRCUIT BOARD (CARD)
 CIRCUIT DIAGRAM (PS-TR)
 CIRCUIT DIAGRAM (CARD)

目次

仕様 2
 パネル図 3
 分解図 4, 5
 分解図パーツリスト 6
 ブロック図 7
 鍵盤パーツリスト 13
 鍵盤分解手順 14
 ペダルユニットパーツリスト 16
 テストモード 17
 ユーザーデータのセーブとロード 26
 内部RAMの初期化 27
 フラッシュROMのバージョンアップの方法 27
 基板図 (KEYBOARD PA-4A88AFT-F ASSEMBLY) 31
 回路図 (KEYBOARD PA-4A88AFT-F ASSEMBLY) 32
 基板図 (MAIN) 33
 回路図 (MAIN) 34
 基板図 (PANEL L) 35
 回路図 (PANEL L) 36
 基板図 (PANEL R) 37
 回路図 (PANEL R) 37
 基板図 (JACK B) 38
 回路図 (JACK B) 38
 基板図 (JACK A / AFT) 39
 回路図 (JACK A / AFT) 39
 基板図 (PS-TR) 40
 基板図 (CARD) 40
 回路図 (PS-TR) 40
 回路図 (CARD) 40

Page



SPECIFICATIONS/仕様

A-90/A-90EX : Expandable Controller/エクスパンドブル・コントローラー

■A-90EX Sound Section (VE-RD1)/A-90EX音源部 (VE-RD1)

●Sound Generator/音源	PCM synthesis/PCM方式	
●Parts/パート数	4parts/4パート	
●Maximum Polyphony/最大同時発音数	64voices/64音	
●Effects/エフェクト	Reverb/リバーブ Chorus/コーラス Equalizer/イコライザー	
●Preset Memory/プリセットメモリー	Patches/パッチ	: 128

■A-90/A-90EX Common/A-90/A-90EX共通

●Keyboard/鍵盤	88 keys (Hammer-action mechanism with Velocity and Channel Aftertouch) 88鍵 (ハンマー・アクション式鍵盤、ベロシティ、チャンネル・アフタータッチ付き)	
●Zones/ゾーン	Internal/インターナル External/エクスターナル	: 4 : 4
●Internal Memory/インターナル・メモリー	System Setup/システム・セットアップ User Name Maps/ユーザー・ネーム・マップ Preset Name Maps/プリセット・ネーム・マップ Performances/パフォーマンス Chains/チェーン Manual/マニュアル	: 1 : 4 : 9 : 64 : 10 : 1
●Memory Card (Option)/メモリーカード (オプション)	System Setup/システム・セットアップ User Name Maps/ユーザー・ネーム・マップ Performances/パフォーマンス Chains/チェーン	: 1 : 4 : 64 : 10
●Display/ディスプレイ	3characters (backlit LCD)/3桁 (バック照明付きLCD) 17characters, 2lines (backlit LCD)/17桁2行 (バック照明付きLCD)	
●Nominal Output Level/規定出力レベル	Output (balanced) Output (unbalanced)	: -10 dBm : -10 dBm
●Output Impedance/出力インピーダンス	Output (balanced) Output (unbalanced)	: 600Ω : 300Ω
●Recommended Load Impedance/推奨負荷インピーダンス	Output (balanced) Output (unbalanced)	: 10kΩ or greater : 10kΩ or greater
●Connectors/接続端子	MIDI Connectors (in:2, thru:1, out:4) Foot Controller Jacks:2 Switch Jacks:2 Total Volume Pedal Jack Hold Pedal Jack Output Jacks (L(Mono), R) Headphone Jack Breath Controller Jack Memory Card Slot AC Inlet (AC 100 V, AC 230 V, AC 240 V)	
●Power Supply/電源	AC 100 V, AC 117 V, AC 230 V or AC 240 V	
●Power Consumption/消費電力	15 W (AC 100 V), 15 W (AC 117 V) 20 W (AC 230 V), 20 W (AC 240 V)	
●Dimensions/外形寸法	1456 (W) x 405 (D) x 143 (H) mm 257-1/3(W) x 16(D) x 5-3/5(H) inches	
●Weight/重量	27.3 kg/60 lbs 4 oz	
●Accessories/付属品	Pedal Switch:DP-6 Owner's Manual (English) Owner's Manual (Japanese) Power Cord (Detachable)	(P/No.22187705) (P/No.70679812) (P/No.70670356)
	AC 230V AC 240V AC 100V	(P/No.13499221) (P/No.13499222) (P/No.13499228)
●Options/別売品	Memory card Stereo headphone Pedal switch Expression pedal Connecting cable MIDI/SYNC cable Voice expansion board	: M-512E : RH-20/80/120 : DP-2/6, BOSS FS 5U : EV-5 : PJ-1M、PCS-100PW : MSC-15/25/50 : VE series

0 dBm = 0.775 Vrms

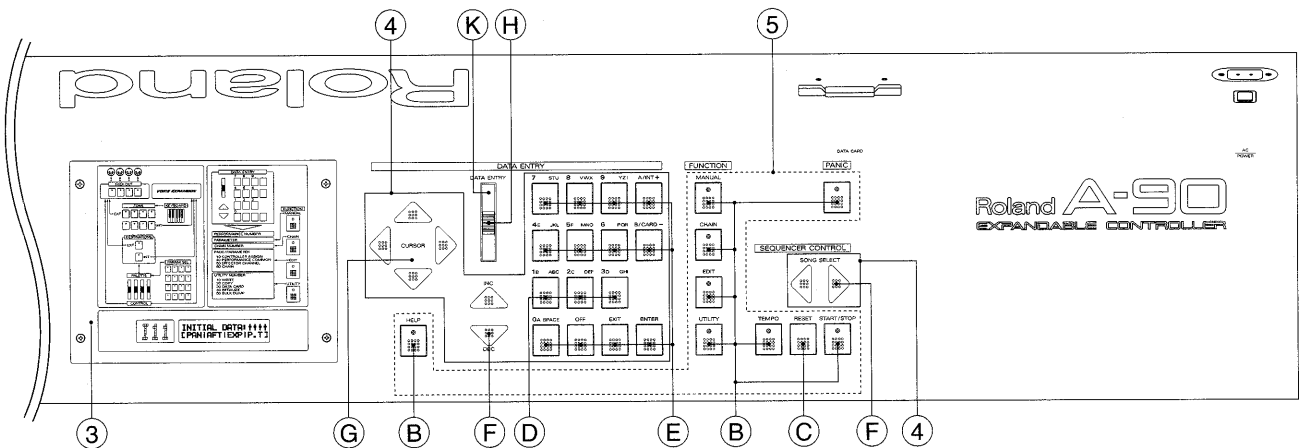
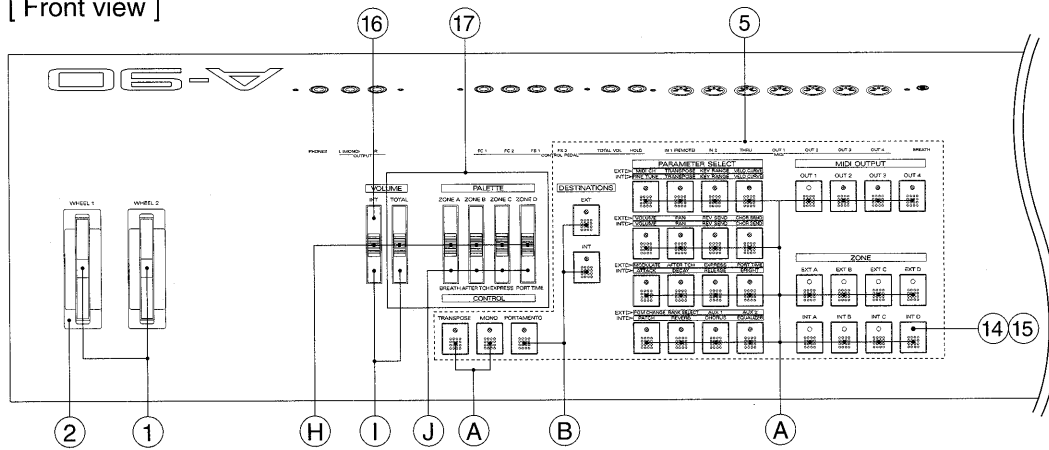
* Specifications are subject to change without notice.

※ 製品の仕様および外観は、改良のため予告なく変更することがあります。

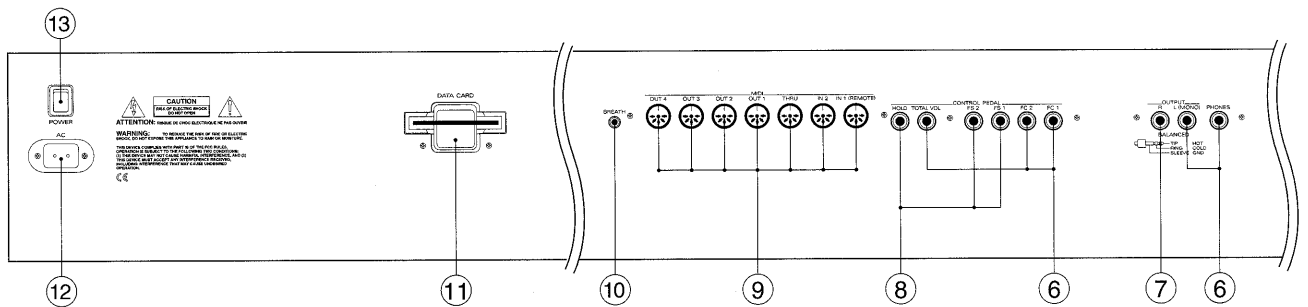
1 2 3 4 5 6 7 8 9 10 11 12 13 14 15 16 17 18 19 20 21

A LOCATION OF CONTROLS/パネル図

[Front view]



[Rear view]



Parts List

No.	PART No.	DESCRIPTION	No.	PART No.	DESCRIPTION
1	23275893	BW-A0000 327-893 BENDER WHEEL	A	22495256	B S-KEYTOP MD2H BLK (DUAL/2連)
2	00788990	A-90 WHEEL ESCUTCHEON 2H (DUAL/2連)	B	22495255	B S-KEYTOP MD1H BLK (SINGLE/1連)
3	00788978	A-90 DISPLAY COVER	C	22495251	B S-KEYTOP MX1H BLK (SINGLE/1連)
4	13169752	EVQ 213 05R TactSW	D	22495253	B S-KEYTOP MX3H BLK (TRIPLE/3連)
5	13169727	SKPDAC 250G TactSW	E	22495254	B S-KEYTOP MX4H BLK (QUATERNARY/4連)
6	13449284	HLJ7001-01-3010 STEREO JACK	F	22495259	B T-KEYTOP LX2V BLK (DUAL/2連)
7	13449169	YKB21-5078 JACK	G	22495258	B T-KEYTOP MX2VH BLK (QUATERNARY/4連)
8	13449283	HLJ7101-01-3010 MONO JACK	H	22485253	B S-KNOB S BLK/BLK
9	13429642	DIN M-S2-3P MIDI	I	22205541	B S-HOLDER S2H BLK L=30 (DUAL/2連)
10	13449433	YKB21-5130 BREATH	J	22205543	B S-HOLDER S4H BLK L=30 (QUATERNARY/4連)
11	22225365	A C-ESCT LX1H BLK	K	22205540	B S-HOLDER S1H BLK L=30 (SINGLE/1連)
12	23425743	AC INLET INL-9 2.5A/250V 2P (except 117V use)			
	00125489	AC CORD ASSY 120V (117V use only)			
13	13149125	AC SW EST206B 5A/125V			
14	12169370	LED SPACER LDS-120R 216-370			
15	15029259	LED GL3HS8			
16	13359366	EWANA0X05B14			
17	00891789	EWANPEX05B14			

1 2 3 4 5 6 7 8 9 10 11 12 13 14 15 16 17 18 19 20 21

A B C D E F G H I J K L M N O P Q R S T U V W X Y Z

EXPLODED VIEW/分解図

- HOW TO REMOVE THE PANEL/PANELのはずし方
Loosen and remove 16 pieces of screw [P] and remove the panel.
[P]のネジ16本をはずし、パネルをはずします。

CAUTION

The panel is not hinged to the bottom board.
After removing the bottom screws, take care not to drop the panel.
パネルとボトムボードは蝶板でつながっていません。
底ビスをはずした後はパネルを落下させないように注意して下さい。

CAUTION

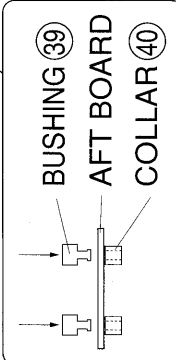
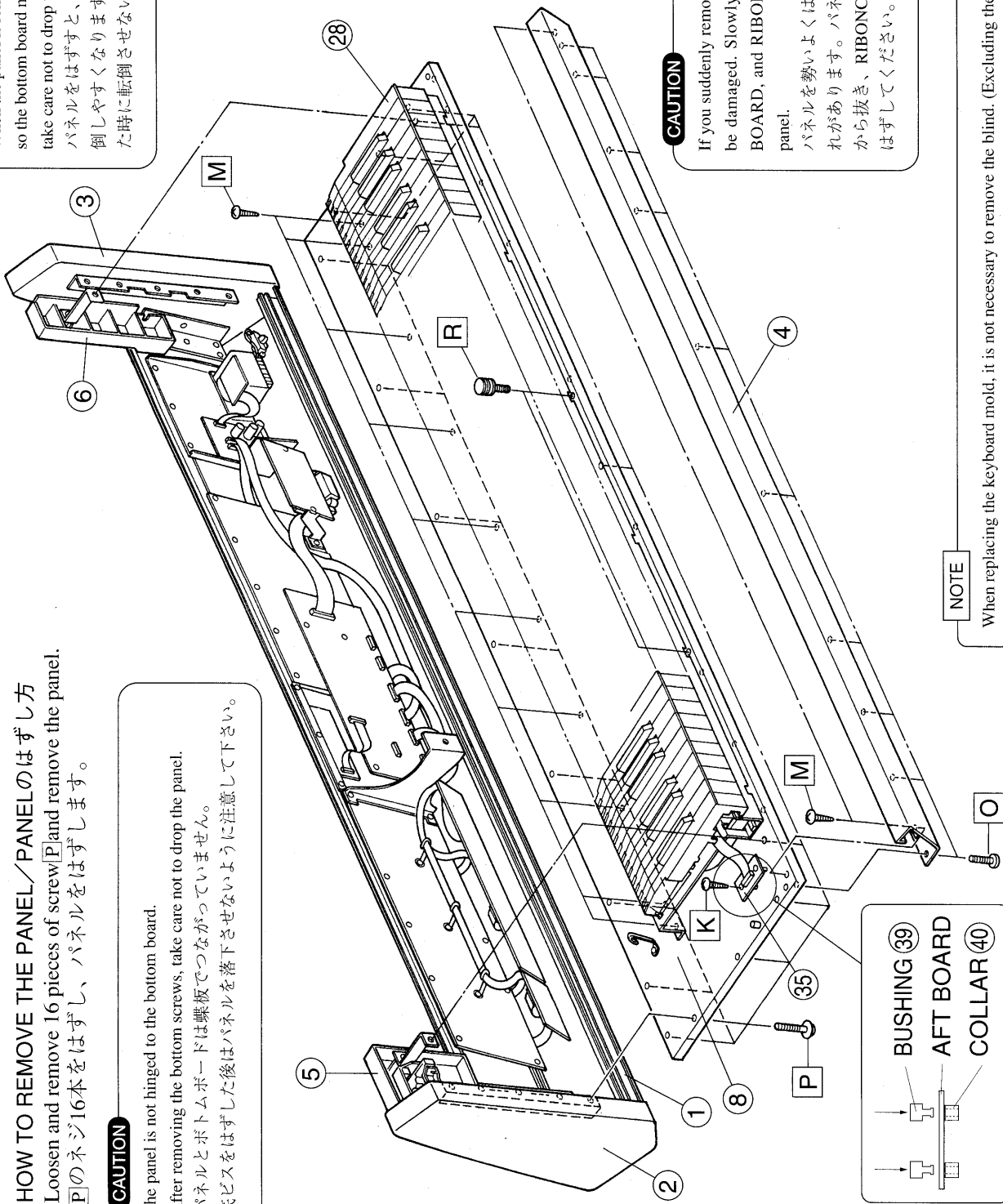
When the panel is removed, the center of gravity shifts to the keyboard side, so the bottom board may fall easily. When removing the keyboard or blind, take care not to drop the bottom board.
パネルをはずすと、重心が鍵盤側に偏り、ボトムボードが著しく転倒しやすくなります。鍵盤やブラインドの取り外し時や、手をかけた時に転倒させないように気を付けて下さい。

CAUTION

If you suddenly remove the panel, FUJI CARD and RIBON CABLE may be damaged. Slowly open the panel, and FUJI CARD out of MAIN BOARD, and RIBON CABLE out of AFT BOARD. Then remove the panel.
パネルを勢いよくはずすとFUJICARDとRIBONCABLEを破損する恐れがあります。パネルをゆっくり開き、FUJICARDをMAINBOARDから抜き、RIBONCABLEをAFTBOARDから抜いた後で、パネルをはずして下さい。

NOTE

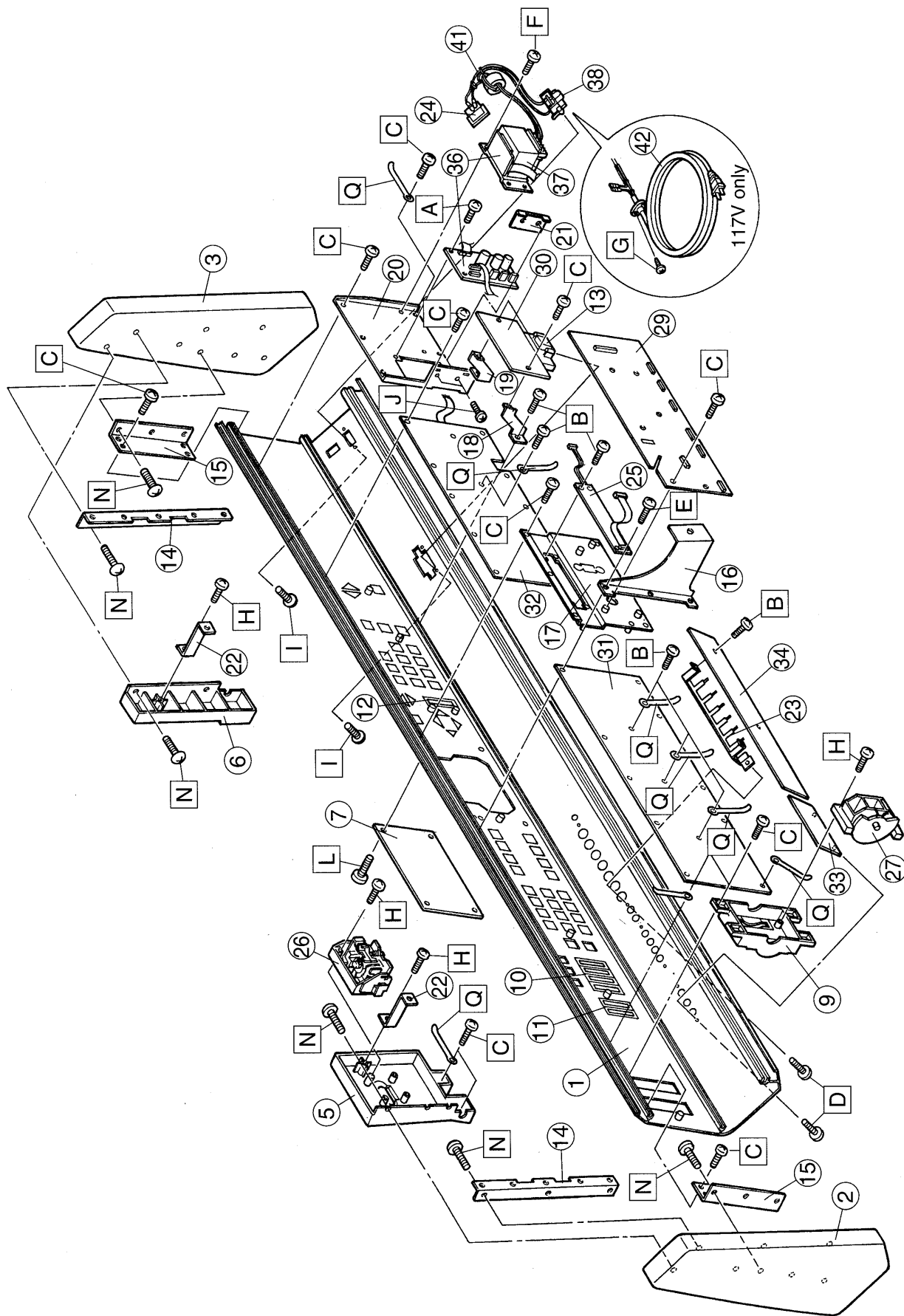
When replacing the keyboard mold, it is not necessary to remove the blind. (Excluding the both ends (N-KEY 'C' and N-KEY 'A'))
鍵のモールドを交換するために、ブラインドをはずす必要はありません。(両端 (N-KEY 'C' および N-KEY 'A') を除く)



1 2 3 4 5 6 7 8 9 10 11 12 13 14 15 16 17 18 19 20 21

A
B
C
D
E
F
G
H
I
J
K
L
M
N
O
P
Q
R
S
T
V

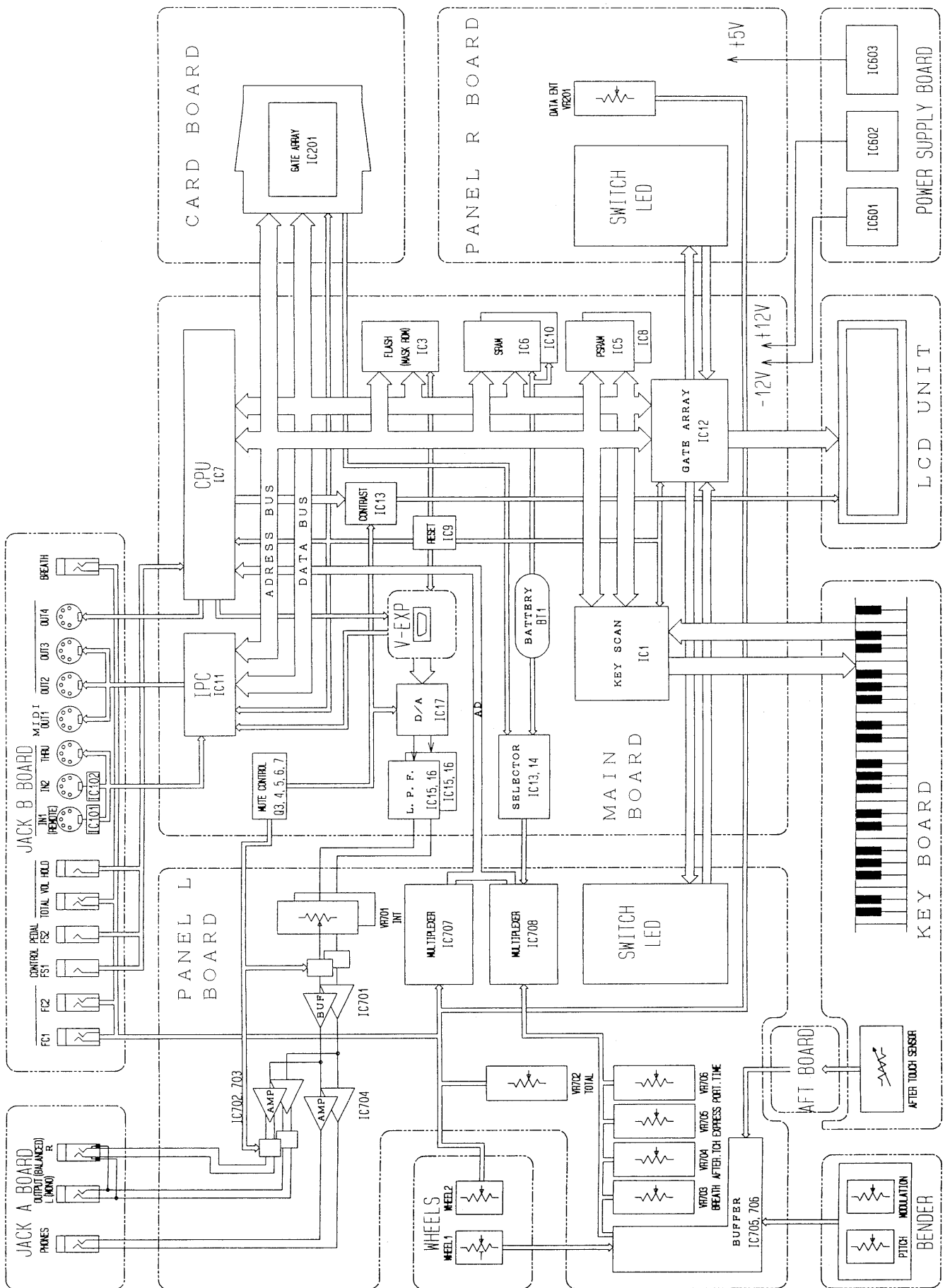
EXPLODED VIEW/分解图



EXPLODED VIEW PARTS LIST/分解図パーツリスト

No.	PART No.	DESCRIPTION
1	00788867	A-90 PANEL
2	00788878	A-90 SIDE PANEL L
3	00788889	A-90 SIDE PANEL R
4	00788934	A-90 BLIND
5	00788901	A-90 END BLOCK L
6	00788912	A-90 END BLOCK R
7	00788978	A-90 DISPLAY COVER
8	70670501	A-90 BOTTOM BOARD ASSY
9	00788990	A-90 WHEEL ESCUTCHEON 2H
10	22225361	B S-ESCT SX4H BLK L=30
11	22225359	B S-ESCT SX2H BLK L=30
12	22225358	B S-ESCT SX1H BLK L=30
13	22225365	A C-ESCT LX1H BLK
14	00788967	A-90 SIDE ANGLE
15	00892434	A-90 PANEL ANGLE
16	00788956	A-90 CENTER HOLDER
17	00892412	A-90 DISPLAY HOLDER
18	00892423	A-90 CARD HOLDER L
19	00892523	A-90 CARD HOLDER R
20	00788945	A-90 TRANS HOLDER
21	00782734	XP-50 IC HOLDER
22	00128089	KR-5000 END BLOCK HOLDER
23	22205244	A-50 MIDI HOLDER
24	13149125	AC SW EST206B 5A/125V
25	15029570	LCD DM088Z-7DL3
26	70564101	PB-H0201 BENDER TURBOLESS
27	23275893	BW-A0000 327-893 BENDER WHEEL
28	70670389	PA-4A88-F KEYBOARD ASSY
29	70671256	MAIN BOARD (PWB 00789167)
30	70671223	CARD BOARD (PWB 00789190)
31	70670612	PANEL L BOARD (PWB 00789145)
32	70670623	PANEL R BOARD (PWB 00789156)
33	70670456	JACK A BOARD (PWB 00789178)
34	70670467	JACK B BOARD (PWB 00789189)
35	70670390	AFT BOARD (PWB 00789212)
36	70670490	PS BOARD (PWB 00789201) (includes TRANS BOARD (PWB 00789223))
37	22455703U0	POWER TRANSFORMER (UNIVERSAL)
38	23425743	AC INLET INL-9 2.5A/250V 2P (except 117V use)
	00903423	A-90 WIRING J1 (Including INLET , except 117V use)
39	12159715	BUSHING TB300BK
40	12159733	COLLAR TA-310
41	12449323	ESD-R-25SD Line Filter
42	00125489	AC CORD ASSY 120V (117V use only)
A	40011056	3x 6mm Binding Head Tap-tight B type Fe ZC
B	40011090	3x 6mm Binding Head Tap-tight B type Fe BZC
C	40011067	3x 8mm Binding Head Tap-tight B type Fe ZC
D	40011101	3x 8mm Binding Head Tap-tight B type Fe BZC
E	40011112	3x10mm Binding Head Tap-tight B type Fe BZC
F	40012290	4x 6mm Binding Head Tap-tight B type Fe ZC
G	40011123	4x 8mm Binding Head Tap-tight B type Fe BZC (117V use only)
H	40011278	3x 8mm Binding Head Tap-tight P type Fe ZC
I	40011312	3x 8mm Binding Head Tap-tight P type Fe BZC
J	40015956	3x12mm Binding Head Tap-tight S type Fe BZC
K	40010767	3x25mm Binding Head Tapping A1 Fe ZC
L	40010323	4x 6mm Binding Head Machine Fe BZC
M	40012145	4x14mm Truss Head Tapping A1 Fe BZC
N	40010634	4x16mm Truss Head Tapping A1 Fe ZC
O	40010134	4x20mm Truss Head Machine Fe BZC
P	40128512	4x25mm Pan Washer Head Tap-tight B type Fe BZC
Q	40017378	Coating Clip CS-7
R	00568756	PA-4A STOP SCREW

BLOCK DIAGRAM/ブロック図



PARTS LIST/パーツリスト

SAFETY PRECAUTION:
 The parts marked Δ have safety-related characteristics.
 Use only listed parts for replacement.

安全上の注意:
 Δ が付いている部品は、安全上特別な規格でつくられたものです。
 交換の際は、指定された部品番号以外の部品は使用しないで下さい。

CONSIDERATIONS ON PARTS ORDERING
 When ordering any parts listed in the parts list, please specify the following items in the order sheet.

QTY	PART NUMBER	DESCRIPTION	MODEL NUMBER
Ex. 10	22575241	Sharp key	C-20/50
15	2247017300	Knob (orange)	DAC-15D

Failure to completely fill the above items with correct number and description will result in delayed or even undelivered replacement.

パーツ発注に関するお願い
 オーダーシートには、必ず下記の4項目は正確に記入して下さい。(例外は除く)
 必要数 パーツナンバー 品名 使用機種

例) 10 22575241 Sharp key C-20/50
 15 2247017300 Knob (orange) DAC-15D

もし記入漏れ、誤記等がある場合、必要部品が発送できなかったり、大幅な遅れの原因になります。御協力をお願いします。

- MB MAIN BOARD
- CB CARD BOARD
- PLB PANEL L BOARD
- PRB PANEL R BOARD
- JAB JACK A BOARD
- JBB JACK B BOARD
- PSB PS BOARD
- TRB TRANS BOARD
- AFT AFT BOARD

NOTE : The parts marked # are new (initial parts)
 注 意 : #マークの付いた部品は、新規部品です。

CASING/ケース

#	00788867	A-90	PANEL	
#	00788878	A-90	SIDE PANEL L	
#	00788889	A-90	SIDE PANEL R	
#	00788934	A-90	BLIND	
#	00788901	A-90	END BLOCK L	
#	00788912	A-90	END BLOCK R	
#	00788978	A-90	DISPLAY COVER	
#	70670501	A-90	BOTTOM BOARD ASSY	
#	00788990	A-90	WHEEL ESCUTCHEON 2H	
	22225361	B S-ESCT	SX4H BLK L=30	PLB
	22225359	B S-ESCT	SX2H BLK L=30	PLB
	22225358	B S-ESCT	SX1H BLK L=30	PRB
	22225365	A C-ESCT	LX1H BLK	CB
			CARD	
#	00569156		CUSHION T1*25*1200	BOTTOM BOARD
	12359105	RS-09	FOOT W 235-105	BOTTOM BOARD
	22265286	FP-8G	KEY FELT	PANEL

CHASSIS/シャーシ

#	00788967	A-90	SIDE ANGLE	
#	00892434	A-90	PANEL ANGLE	
#	00788956	A-90	CENTER HOLDER	
#	00892412	A-90	DISPLAY HOLDER	
#	00892423	A-90	CARD HOLDER L	
#	00892523	A-90	CARD HOLDER R	
#	00788945	A-90	TRANS HOLDER	
	00782734	XP-50	IC HOLDER	
	00128089	KR-5000	END BLOCK HOLDER	
	22205244	A-50	MIDI HOLDER	JAB
	22205543	B S-HOLDER	S4H BLK L=30	PLB
	22205541	B S-HOLDER	S2H BLK L=30	PLB
	22205540	B S-HOLDER	S1H BLK L=30	PRB
	12169370	LED SPACER	LDS-120R	216-370
	12189810	PCB SPACER	WLS-14-097V0	MB
	12199584	M1698	Grounding Terminal	JAB,JBB

KNOB,BUTTON/ツマミ、ボタン

	22495255	B S-KEYTOP	MD1H BLK	PLB,PRB
	22495256	B S-KEYTOP	MD2H BLK	PLB
	22495251	B S-KEYTOP	MX1H BLK	PRB
	22495253	B S-KEYTOP	MX3H BLK	PRB
	22495254	B S-KEYTOP	MX4H BLK	PRB
	22495258	B T-KEYTOP	MX2VH BLK	PRB
	22495259	B T-KEYTOP	LX2V BLK	PRB
	22485253	B S-KNOB	S BLK/BLK	PLB,PRB

SWITCH/スイッチ

Δ	13149125	AC SW	EST206B 5A/125V	PowerSW
	13169727	SKPDAC	250G	TactSW
	13169752	EVQ	213 05R	TactSW

JACK, SOCKET/ジャック、ソケット

13449169	YKB21-5078	R OUT	JK303onJBB
13449283	HLJ7101-01-3010	HOLD,FS1,FS2	JK103,104,106onJAB
13449284	HLJ7001-01-3010	PHONES,L OUT	JK301,302onJAB
		FC1,FC2,TOLAL	JK101,102,105onJBB
13449433	YKB21-5130	BREATH	JK114onJBB
13429642	DIN M-S2-3P	MIDI	JK107,108,109,110 111,112,113onJBB

DISPLAY UNIT/表示ユニット

15029570	LCD DM088Z-7DL3 (including LED,PCB,and wiring)		
	NOTE : Replacement LCD Unit should be made on a unit basis. No replacement available for individual parts. Replacement only by a unit.		
	注 意 : LCD Unitの交換は、ユニット単位で行って下さい。 補修品は、ユニット単位。		

BENDER UNIT/ベンダーユニット

70564101	PB-H0201	BENDER TURBOLESS	
23275893	BW-A0000 327-893	BENDER WHEEL	
	NOTE : Replacement BENDER Unit should be made on a unit basis. No replacement available for individual parts. Replacement only by a unit.		
	注 意 : BENDER Unitの交換は、ユニット単位で行って下さい。 補修品は、ユニット単位。		

KEYBOARD/鍵盤完成品

# 70670389	PA-4A88-F KEYBOARD ASSY		
	NOTE : See "PA-4A88AFT-F PARTS LIST" for details.		
	注 意 : 詳細は、"鍵盤パーツリスト PA-4A88AFT-F"を参照して下さい。		

PCB ASSY/基板完成品

# [E] 70671256	MAIN BOARD		
	NOTE : When you replace the MAIN BOARD or Lithium battery, You must reperform bender adjustment. Refer to * [Bender value setting] item in the test mode.		
	注 意 : MAIN BOARDもしくはリチウムバッテリーを交換した際にはベンダーの再設定が必要になります。詳しくはテストモード「ベンダー値設定」の項目をお読み下さい。		
# 70671223	CARD BOARD		
# 70670612	PANEL L BOARD		
# 70670623	PANEL R BOARD		
# 70670456	JACK A BOARD		
# 70670467	JACK B BOARD		
# 70670390	AFT BOARD		
	NOTE : Be sure to use the AFT BOARD whose printed number in the last two figures should be the same as the PANEL L BOARD. See "Cautions and modification procedure for the AFT BOARD" (page 39) for details.		
	注 意 : AFT BOARDは基板の末尾番号がPANEL L BOARDと同じ物を使用して下さい。 末尾番号が00の物と01の物を組み合わせて使う事はできません。 詳細は "AFT BOARDに関する注意/改造法" (39ページ)を参照して下さい。		
# 70670490	PS BOARD		
# *****	TRANS BOARD		
# *****	VE-RD1 (A-90EX USE ONLY)		
	NOTE : The another varieties of A-90 called A-90EX exist. A-90EX is equipped with Voice Expansion Board VE-RD1. VE-RD1 is not available for replacement parts. Please use VE-RD1 (goods) , if necessary.		
	注 意 : A-90には、商品のバリエーションとして、ボイスエクspansionボードVE-RD1が搭載されている製品、A-90EXがあります。 このVE-RD1は商品ですので、サービスパーツとしては供給出来ません。		

IC/集積回路

	00342723	MB90705	CPU FMC16	IC7 on MB
	00788356	M38881M2-058FP	SUB CPU (IPC)	IC11 on MB
	15235149	HG62E11B24FS	CUSTOM IC (CARD GATE ARRAY)	IC201 on CB
	00129278	SSC1080F0B	CUSTOM IC (KEY SCAN GATE ARRAY)	IC1 on MB
	00349690	UPD65622GF-138-3B9	CUSTOM IC (PERIPHERAL GETE ARRAY)	IC12 on MB
	00670612	HM62864LFP-7SLZ	SRAM 512K 70nS	IC6,10 on MB
#	00893278	28F400BV-B60	FLASH MEMORY 4M (programmed)	IC3 on MB
	15279510	HM65256BLF-12TZ	PseudoSRAM 256K 120nS	IC5,8 on MB
	15289714	UPD63200GS-E2	D/A Converter	IC12 on MB
	15249111	TC7WU04F (TE12L)	Triple Inverter	IC4 on MB
	15199937	M51953BFP-600C	Reset IC	IC9 on MB
	15189261	M5218AFP-600E	Dual Operational Amplifier	IC13,15,16 on MB
	15289116	NJM2082M-TE3	Dual Operational Amplifier	IC14 on MB
	15189250	M5218AL (SIP)	Dual Operational Amplifier	IC701,702,703,704, 705,706 on PLB
	15169339H0	HD74LS32P	Quad 2-input OR Gate	IC103 on JBB
	15169515	TC74HC00AP	Quad 2-input NAND Gate	IC201,709,710 on PLB,PRB
	15159114T0	TC4052BP	Differential 4-channel Multiplexer/Demultiplexer	IC707,708 on PLB
△	00236067	AN79M12F	-12V Voltage Regulator	IC602 on PSB
△	15199221	AN78M12F	+12V Voltage Regulator	IC601 on PSB
△	15199137	AN7805F	+5V Voltage Regulator	IC603 on PSB

TRANSISTOR/トランジスタ

#	00898201	RN2421 TE85R		MB
	15309101	2SA1037KR T146		MB
	15319101	2SC2412KR T146		MB
	15129152	2SC2878-A TPE-2		PLB
	15119132	2SA1015-GR TPE-2		PLB,PRB
	15119615	2SB647CTZ		PLB
	15129151	2SC1815GR TPE-2 150MA/50V		MB,JBB
	15129623	2SD667CTZ		PLB
	15119163	RN2227		PLB,PRB,JBB
	15129199	RN1211		PLB
	15329502	DTC124EK T146		MB
	15129160	DTC144ESTP		PLB,JBB
	15129197	DTC144WSTP		JBB
	15129198	DTA124ESTP		PLB,JBB

DIODE/ダイオード

△	15019245	1B4B41 1A/100V	Bridge	PSB
△	15039166	S2VB20 2A/200V	Bridge	PSB
	15019441	MTZ T-91 5.6C	Zener	MB
	15019413	MTZ T-77 5.1B	Zener	PLB
	15019432	MTZ T-77 20B	Zener	PLB
	15019126	1SS133 T-77		PSB,PLB,PRB,JBB
	15339105	DAN202K T146		MB
	15339108	DA204K T146		MB
	15339142	RB705D T146		MB

RESISTOR/抵抗器

	13749310D0	R50XJT34V5.6	1/2W Carbon Resister	MB
	15399965	RCE9A103JAG7A	Resistor Array	MB,CB
	00346690	RCE9A682JAG7A	Resistor Array	MB
	15399917	MNR34J5AJ103	Resistor Array	MB
	15399932	MNR34J5AJ101	Resistor Array	MB
	15399941	MNR34J5AJ391	Resistor Array	MB
	15399946	MNR34J5AJ332	Resistor Array	MB
	15399991	MNR34J5AJ223	Resistor Array	MB

POTENTIOMETER/ポリューム

#	00891789	EWANPEX05B14	TOTAL,ZONE A,B,C,D,DATA ENT	PLB,PRB
	13359366	EWANA0X05B14	INT	PLB

CAPACITOR/コンデンサー

△	13639143S0	16MV6800HW		PSB
△	13639195S0	35MV2200HW		PSB
#	00239456	AMZV050J392		PLB
#	13549348	ECQ-B1H391KF3		PLB

INDUCTOR, COIL, FILTER/インダクタ、コイル、フィルター

12449323	ESD-R-25SD	Line Filter	
00452034	BK2125HM102-T	Ferrite Bead	MB
00907856	BLM21A601SPT	Ferrite Bead	MB

CRYSTAL, RESONATOR/クリスタル、発振子

#	00891801	X'TAL MA-406 24.000MHZ TE24	MB
---	----------	-----------------------------	----

OPTICAL DEVICE/光関連部品

15229706S0	PHOTO CUPLR PC910X	JBB
15029259	LED GL3HS8	PLB, PRB

CONNECTOR/コネクタ**-Cable Holder-**

13429292	51048-0300	3Pin	CN703 on PLB
13429295	51048-0600	6Pin	CN706 on PLB, CN202 on PRB
13429297	51048-0800	8Pin	CN602 on PSB
13429298	51048-0900	9Pin	CN704 on PLB
13429299	51048-1000	10Pin	CN603 on PSB, CN501 on TRB
13429300	51048-1100	11Pin	CN102 on JBB

-Wire Trapper-

13369598	52147-0310	3Pin	CN401 on AFT
13369601	52147-0610	6Pin	CN601 on PSB, CN101 on JBB
13369603	52147-0810	8Pin	CN10 on MB
13369604	52147-0910	9Pin	CN301 on JAB
13369606	52147-1110	11Pin	CN4 on MB

-FPC-

13379155	IL-FPC-22ST-N	CN5,8 on MB
00234489	IL-FPC-22SL-N	CN707 on PLB, CN201 on PRB
13379157	IL-FPC-16SL-N	CN705 on PLB
13379152	IL-FPC-16ST-N	CN2 on MB
13379151	IL-FPC-14ST-N	CN3 on MB
00780990	52045-3510	CN1 on MB, CN201 on CB

-Wafer-

13369940	53254-0410 2mmPitch	CN702 on PLB
13439389	5484-07AX	CN701 on PLB

-IC Card-

13429233	7508095A	CN202 on CB
----------	----------	-------------

-Expansion Board-

13429914	52411-0202	CN9 on MB
----------	------------	-----------

-Other-

13439311	520314-2	CN402 on AFT
13369506	RF-H14 2TD-1190	CN6 on MB
13439474	B2B-XH-A	CN7 on MB

WIRING, CABLE/ワイヤリング、ケーブル**-Ribbon Cable-**

00903823	RIBON CABL	3X500-P2.0	
#	00789923	RIBON CABL	6X100-P2.0
#	00890156	RIBON CABL	8X600-P2.0
#	00890612	RIBON CABL	11X350-P2.0
	23503682	KM-25B WIRING A	6P
	00129689	AT-4 WIRING A	10P
	23505511	HP-3800 WIRING HARNESS	W2-1 9X100

-FPC Cable-

#	23475426	FUJI CARD 16X550-A6.0BB-P1.25-HBL10
	00568634	FUJI CARD 22X240-A6.0BB-P1.25-HBL10
#	00904690	FUJI CARD 22X400-A6.0BB-P1.25-HBL10

00456234 FUJI CARD 35X200-A6.0BBR-P1.25-HLB10

-Other-

00782845 XP-50 WIRING W9-1

\triangle 00903423 A-90 WIRING J1 (Including INLET)**TRANSFORMER/トランス** \triangle 22455703U0 POWER TRANSFORMER (UNIVERSAL)**AC CORD (Installed) /電源コード (据え付け式)** \triangle 00125489 AC CORD ASSY 120V (117V use only)

NOTE : For other voltage versions, refer to the section of ACCESSORIES for AC CORD (detachable).

注 意 : 117V以外については、ACCESSORIESの項目を参照して下さい。

AC INLET/ACインレット \triangle 23425743 AC INLET INL-9 2.5A/250V 2P (except for 117V use)**BATTERY/電池** \triangle 12569249S0 LITHIUM BATTERY CR2032 220mAh/3V**SCREWS/ネジ類**

40011056 3x 6mm Binding Head Tap-tight B type Fe ZC

40011090 3x 6mm Binding Head Tap-tight B type Fe BZC

40011067 3x 8mm Binding Head Tap-tight B type Fe ZC

40011101 3x 8mm Binding Head Tap-tight B type Fe BZC

40011112 3x10mm Binding Head Tap-tight B type Fe BZC

40012290 4x 6mm Binding Head Tap-tight B type Fe ZC

40011123 4x 8mm Binding Head Tap-tight B type Fe BZC (117V use only)

40011278 3x 8mm Binding Head Tap-tight P type Fe ZC

40011312 3x 8mm Binding Head Tap-tight P type Fe BZC

40015956 3x12mm Binding Head Tap-tight S type Fe BZC

40010745 3x16mm Binding Head Tapping A1 Fe ZC

40010767 3x25mm Binding Head Tapping A1 Fe ZC

40010323 4x 6mm Binding Head Machine Fe BZC

40012145 4x14mm Truss Head Tapping A1 Fe BZC

40010634 4x16mm Truss Head Tapping A1 Fe ZC

40010134 4x20mm Truss Head Machine Fe BZC

40128512 4x25mm Pan Washer Head Tap-tight B type Fe BZC

40017378 Coating Clip CS-7

40017378 Insu-lock Tie T18S (80mm)

00568756 PA-4A STOP SCREW

PACKING CASE/梱包材

00788823 A-90 PAD L

00788834 A-90 PAD R

00788812 A-90 PACKING CASE (A-90 use only)

01011001 A-90EX PACKING CASE (A-90EX use only)

MISCELLANEOUS/その他

12569420 LITHIUM BATTERY HOLDER MB

12159715 COLLAR BUSHING TB300BK AFT

12159733 COLLAR BUSHING TA-310 AFT

40233501 CAUTION LABEL (100V use only)

ACCESSORIES (STANDARD) /標準付属品

70670356 OWNER'S MANUAL SET DOMESTIC (JAPANESE)

70679812 OWNER'S MANUAL SET EXPORT (ENGLISH)

40232334 WARRANTY SET/保証書 (MI用) (100V use only)

***** DP-6 PEDAL BK

 \triangle 13499228 AC CORD SET 100V DC-531-J01 VCTFK2P \triangle 13499221 AC CORD SET 230V EC-511-E07 H03VVH2-F 2P \triangle 13499222 AC CORD SET 240VA SC-078-J02 ES206-75HMA \triangle 00905234 EURO CONVERTER PLUG ECP01-5A

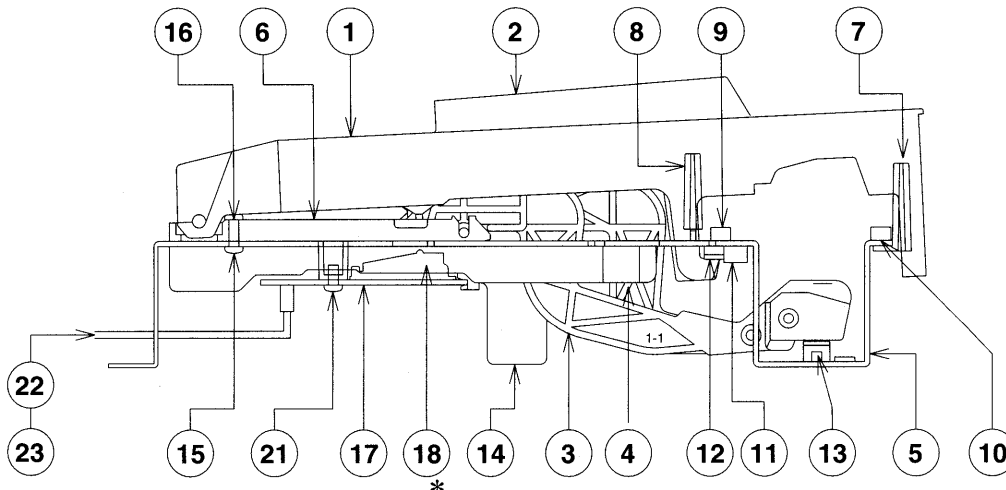
KEYBOARD PARTS LIST/鍵盤パーツリスト

A-90
 PA-4A88AFT-F KEYBOARD ASSY PARTS LIST
 70670389

No.	PARTS No.	PARTS NAME	Qty.	
1	00455501	PA-4A N-KEY A	7/ 1	
	00455512	PA-4A N-KEY B	8/ 1	
	00455534	PA-4A N-KEY C	7/ 1	
	00455545	PA-4A N-KEY D	7/ 1	
	00455556	PA-4A N-KEY E	7/ 1	
	00455578	PA-4A N-KEY F	7/ 1	
	00455589	PA-4A N-KEY G	7/ 1	
	00458689	PA-4A N-KEY A'	1/ 1	
	00458690	PA-4A N-KEY C'	1/ 1	
2	32575291	PA-4 S-KEY	36/ 1	
3	00458178	PA-4A N-KEY HAMMER	52/ 1	
4	00458189	PA-4A S-KEY HAMMER	36/ 1	
5	70679456	PA-4A CHASSIS 88P-AFT ASSY	1/ 1	
	00453401	PA-4A CHASSIS 88P (United with PA-4A KEYBOARD ANGLE A.00563590. Substitutable with old type.) (PA-4A KEYBOARD ANGLE A(00563590)と一体化。変更前と互換)	1/ 1	
	6	22565450	PA-4 SUB CHASSIS A 256-450	7/ 1
		22565451	PA-4 SUB CHASSIS B 256-451	1/ 1
	7	00902623	PA-4A N-KEY GUIDE 7P (Substitutable with PA-4 GUIDE BUSHING A (22155784)) (PA-4 GUIDE BUSHING A(22155784)と互換)	15/ 2
	8	00019912	PA-4 GUIDE BUSHING S-KEY	36/ 1
	9	00902612	PA-4A AFTERTOUCH 88P	1/ 1
	10	22265498	PA-4 CUSHION A	1/ 1
	11	00452145	PA-4 CUSHION U ZUREN DBK-2	1/ 1
	12	00564867	PA-4A CUSHION I	1/ 1
	13	00905834	PA-4A CUSHION SORBOTHANE (Substitutable with PA-4 CUSHION 88K L OROTEX (22265501)) (PA-4 CUSHION 88K L OROTEX(22265501)と互換)	2/ 1
	14	00561890	PA-4A CHANNEL	8/ 1
	15	40012534	BINDING TAPTITE S 3X6 BZC	16/ 1
	16	40012256	BINDING TAPTITE B 3X10 ZC	30/ 1
	17	7626522000	PA-488-A PCB 24P LOW ASSY	1/ 1
		7628722000	PA-488-D PCB 32P MID ASSY	1/ 1
7628723000		PA-488-D PCB 32P HI ASSY	1/ 1	
* 18	22185247	PA-4 RUBBER SWITCH 12P	9/ 1	
19	23475965	FUJI CARD 14X70-A5.0BB-P1.25-HBL8	1/ 1	
20	23475342	FUJI CARD 8X60-A5.0BB-P1.25-H8	1/ 1	
21	40011267	BINDING TAPTITE P 3X6 ZC	25/ 1	
22	00904667	FUJI CARD 14X350-A6.0BBR-P1.25-HBL10	1/ 1	
23	23475453	FUJI CARD 16X350-A6.0BBR-P1.25-HBL10	1/ 1	

* : 18は17の各々のユニットに含まれる部品

Item 18 marked * is include in each unit of item 17.



KEYBOARD DISASSEMBLY/鍵盤分解手順

Removing PA-4A key

While holding the front end of the key, insert the tip of long-nose pliers into the U-groove on the shaft side (shaded area in Fig.1) and hold down the key in the direction of arrow A.

PA-4A Keyの取り外し方

Keyの先端を押さえながら軸側のU字溝(Fig.1斜線部)にラジオペンチを差し込み、矢印Aの方向へ押し込む。

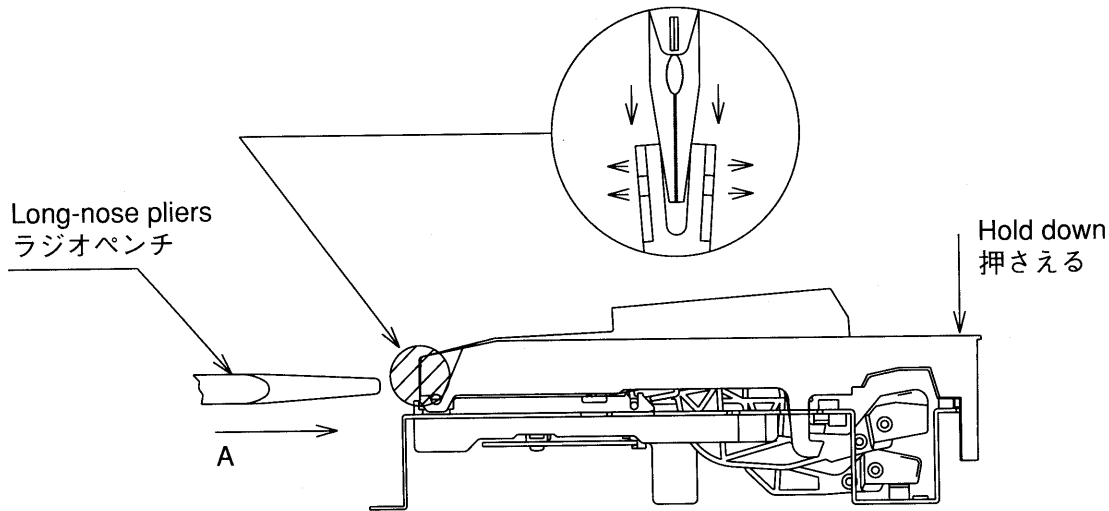


Fig.1

Installing the PA-4A key

While placing the front inner wall of the key against the guide, pass the foot through the hole of the chassis, as shown in Fig.2. Then press the dotted area of the key in the direction of arrow.

PA-4A Keyの取り付け方

Key手前内壁をガイドに押し当てながら足をシャーシの抜き穴に通してFig.2の様に置き、点線部分を矢印の方向に押す。

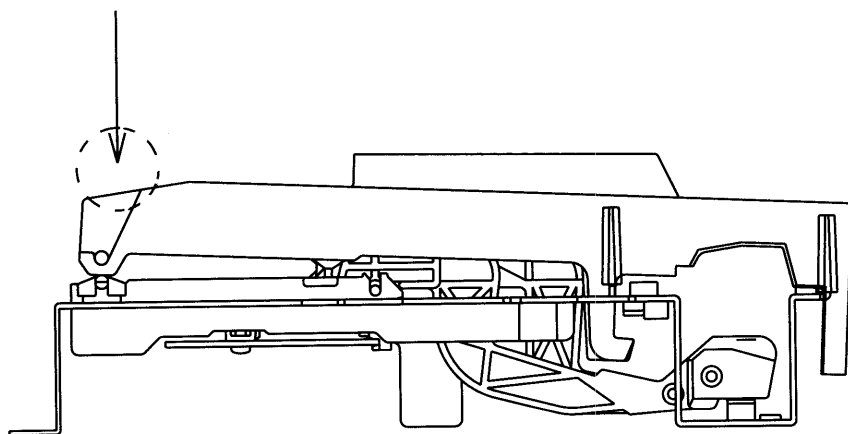


Fig.2

Installing the PA-4A board

As shown in Fig.3, place the board against the hook part a of the sub-chassis, and screw the board into the sub-chassis. Screw in order, from the round hole(positioning hole) on the connector side. Be sure to screw manually. (Care should be taken to avoid screw damage.)

PA-4A 基板の取り付け方

Fig.3の様に、基板をSub-chassisフック部aに突き当ててネジ止めする。ネジ止めは、コネクター側の丸穴(位置決め穴)から順に行うこと。ネジ止めは手動で行うこと。(ネジバカになりやすいので注意)

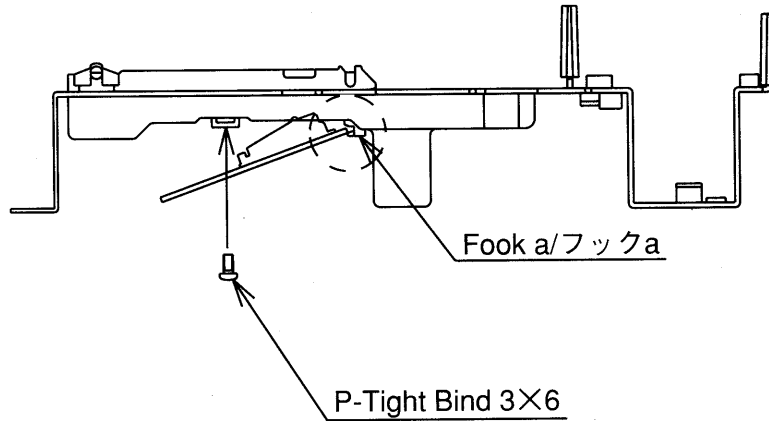


Fig.3

Greasing points

After the key or hammer has been replaced, the specified grease must be applied to the following 4 points as shown in Fig.4.

グリス塗布箇所

Key、ハンマーを交換した際は、必ずFig.4に示す箇所に所定のグリスを塗布すること。

Fig.4

1. Froir GP-1RS....gray
 - (a) Key and hammer bearing section
 - (b) Key and hammer joint section (actuator section)
2. Froir G-336A....white
 - (a) Side of guide bushing for white key and black key

図4

1. フロイル GP-1RS・・・灰色 (#40123123)
 - (a) Key、及びハンマーの軸受部分
 - (b) Keyとハンマーの接合部分(アクチュエータ部)
2. フロイル G-336A・・・白色 (#40123101)
 - (a) 白鍵及び黒鍵のガイドブッシュ側面

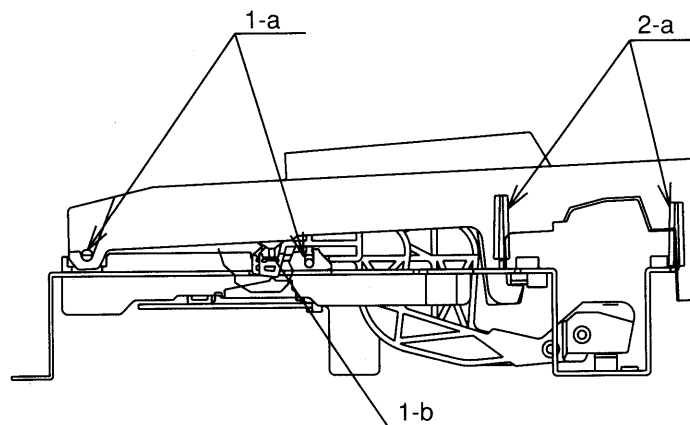
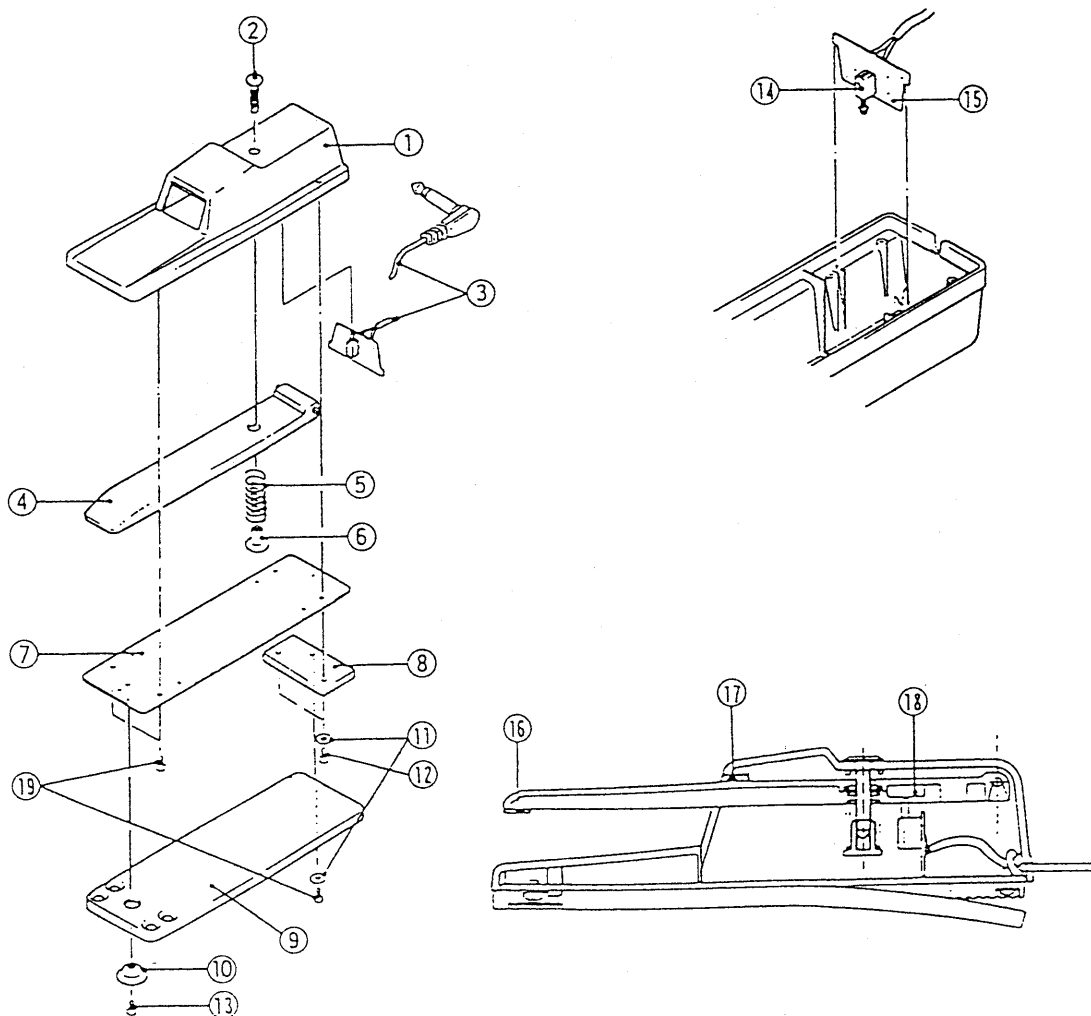


Fig.4

PEDAL UNIT PARTS LIST/ペダルユニットパーツリスト

No.	PARTS No.	DESCRIPTION	
1	G2017604	DP-6 Case BLK	DP-6 ケース 黒
2	2228736600	DP-6 Joint Bolt M6 BLK	ジョイント・ボルト M6 黒
3	G3487117	Cable L-0 1.5M BLK	接続コード L-0 1.5M 黒
4	2218751100	DP-5 Pedal #511	DP-5 ペダル #511
5	22177130	DP-5 Spring	DP-5 スプリング
6	22157532	DP-6 Joint Nut M6×12	DP-6 ジョイント・ナット M6×12
7	22817344	DP-5 Chassis	DP-5 シャーシ
8	22267211	MP-600 Cushion	MP-600 クッション
9	22357324	DP-5 Bottom Rubber	DP-5 底板ゴム
10	22137707	VK-6.9 Washer	VK-6.9 ワッシャー
11	*****	Flat Washer t0.8×3×10	平ワッシャー t0.8×3×10
12	40010923	Tapping Screw Bind Head 3×10 B1 BC	
13	40012189	Tapping Screw Bind Head 4×10 B1	
14	13129331	Push Switch ESB-6069	スイッチ ESB-6069
15	22917731	DP-6 PCB	DP-6 プリント基板
16	2226710200	Switch Felt #102	スイッチ・フェルト #102
17	22267141	DP-5 Felt	DP-5 フェルト
18	22267327	DP-5 Cushion	DP-5 クッション
19	40010912	Tapping Screw Bind Head 3×8 B1 BC	



TEST MODE

NOTE : Before executing test mode, be sure to backup user data as explained in the section "Saving and loading user data."

When you execute test mode, the various parameters will be given special settings. After executing test mode, be sure to either load the user data, or initialize the internal RAM.

◇ Necessary items

- ・ DP-6 (foot pedal)
- ・ EV-5 (expression pedal)
- ・ Memory card x 2 (M-512E, for card test and for backup)
- ・ MIDI cable x 2
- ・ VE-GS1 (voice expansion board)
- ・ Oscilloscope
- ・ Headphones
- ・ Breath controller device (part code 17048275) *1
- ・ Devices for measurement (stereo dummy plug x 2, mono dummy plug x 2)

*1 About the Breath Controller Jig

To perform the Breath Controller Test in the Test Mode, the "Breath Controller Jig (part code 17048275)" is needed.

Please place an order for this Jig with your Local Roland Service when necessary.

◇ Entering test mode

While simultaneously holding down numeric keys 1, 3, and 5, turn the power on. The backup RAM and internal battery will be checked, and the result displayed in the LCD. If there is a problem, check MAIN BOARD IC6, 10, and BT1.

Following this, the version and test item menu will appear, and the A-90 will wait for test items to be selected.

◇ Exiting test mode

Turn the power on once again to return to normal mode.

◇ Test items

The A-90/EX has the following test items.

Each test item is assigned to the following of the data entry keys.

Press the appropriate number to enter the corresponding test item. For details on each test, refer to the explanations for each item.

テストモード

注意: テストモードを実行する前に、「ユーザーデータのセーブとロード」の項目を参照して必ずユーザーデータをバックアップして下さい。

テストモードを実行すると各種設定が特殊な設定になります。テストモードを実行した後は、ユーザーデータをロードするか内部RAMの初期化を必ず行ってください。

◇ 用意するもの

- ・ DP-6 (フットペダル)
- ・ EV-5 (エクスプレッション・ペダル)
- ・ メモリーカードx2 (M-512E、カードテスト用とバックアップ用)
- ・ MIDIケーブルx2
- ・ VE-GS1 (ボイスエクспанションボード)
- ・ オシロスコープ
- ・ ヘッドフォン
- ・ ブレスコントローラー治具 (パーツコード 17048275) *1
- ・ 測定用治具 (ステレオ空プラグx2、モノ空プラグx2)

*1 ブレスコントローラーテストを行う際には、ブレスコントローラー治具 (P/No.17048275)が必要になります。

◇ テストモードの入り方

データエントリーのテンキー1, 3, 5を同時に押しながら電源を入れます。

バックアップRAMと内蔵バッテリーのチェック結果をLCDに表示します。

異常があればMAIN BOARD IC6, 10 BT1をチェックして下さい。

その後は、バージョンとテスト項目のメニューを表示し、テスト項目受け待ち状態となります。

◇ テストモードの抜け方

もう一度電源を入れ直すことにより、通常モードに戻ります。

◇ テスト項目

A-90/EXには以下に示すテスト項目があります。

各テスト項目はデータエントリーのテンキーに割り当てられていて、該当する番号を押すと、それぞれのテスト項目に入ります。各テストの詳細はそれぞれのテスト項目を参照してください。

- 0: Version and test item menu display
- 1: SW/LED test
- 2: LCD test
- 3: Slider VR test
- 4: Pedal test
- 5: Bender value setting
- 6: Bender/wheel test
- 7: MIDI test
- 8: CARD test
- 9: Keyboard test and audio signal output test

0 : Version and test item menu display

Summary : Display the version and test items in the LCD

Procedure : Press numeric key 0 to display the menu.



The system program version and the test item menu will be displayed.



The test program will wait for an item to be selected.

1 : SW/LED test

Summary : Check LED and switch operation

Procedure : Press numeric key 1 to enter the SW/LED test item.



All LEDs will light. Check that there are no LEDs that fail to light.

(If there is a problem, refer to check 1.)



Press each SW, and check that each of the corresponding LEDs or LCD characters go dark.

(If there is a problem, refer to check 1.)



This completes the SW/LED test.

NOTE : To exit the SW/LED test item and go to another item, hold down ENTER and press the numeric key corresponding to the desired test item.

Action :

check 1 :

- PANEL L BOARD SW/LED
- PANEL R BOARD SW/LED
- PANEL L BOARD IC709, 710
- PANEL R BOARD IC201
- PANEL L BOARD CN707 ⇔ MAIN BOARD CN13
- PANEL R BOARD CN201 ⇔ MAIN BOARD CN12
- MAIN BOARD IC12

- 0: バージョン、テスト項目メニュー表示
- 1: SW/LEDテスト
- 2: LCDテスト
- 3: スライダーVRテスト
- 4: ペダルテスト
- 5: ベンダー値設定
- 6: ベンダー/ホイールテスト
- 7: MIDIテスト
- 8: CARDテスト
- 9: キーボードテスト及び音声信号出力テスト

0 : バージョン、テスト項目メニュー表示

概要 : バージョンとテスト項目をLCDに表示

作業 : テンキーの0を押してメニュー-表示項目に入ります。



システムプログラムバージョンとテスト項目のメニューが表示されます。



各種の項目入力待ちとなります。

1 : SW/LEDテスト

概要 : LEDとスイッチの動作確認

作業 : テンキーの1を押してSW/LEDテスト項目に入ります。



LEDが全点灯されます、この時点灯していないものがないかを確認します。

(異常があればcheck1を参考にして下さい。)



それぞれのSWを押して行き、対応するLEDやLCDの文字がすべて消灯する事を確認します。

(異常があればcheck1を参考にして下さい。)



SW/LEDテスト終了です。

注意 : SW/LEDテスト項目からぬけて他の項目に行くためには、ENTERを押しながら各テスト項目に対応したテンキーを押し、各テスト項目に入ってください。

対処方法 :

check1 :

- PANEL L BOARD SW/LED
- PANEL R BOARD SW/LED
- PANEL L BOARD IC709, 710
- PANEL R BOARD IC201
- PANEL L BOARD CN707 ⇔ MAIN BOARD CN13
- PANEL R BOARD CN201 ⇔ MAIN BOARD CN12
- MAIN BOARD IC12

2 : LCD test

Summary : Check for unevenness or defects in the LCD and the operation of the contrast control circuit

Procedure : Press numeric key 2 to enter the LCD test item.



All pixels of the LCD will light.

Check that there is no unevenness or defect in the LCD. (If there is a problem, refer to check 1.)



Check that the contrast of LCD changes by pressing the INC/DEC button (or moving the DATA ENTRY sliders).

(If there is a problem, refer to check 1.)



This completes the LCD test.

Action :

check 1 :

LCD UNIT

LCD UNIT ⇔ MAIN BOARD CN5

MAIN BOARD IC12

3 : Slider VR test

Summary : Check the operation of the slider VRs.

Procedure : Press numeric key 3 to enter the slider VR test item.



Raise and lower the six sliders TOTAL through DATA ENTRY, and check that the value changes from 0--10 in correspondence to the slider movements.

(If there is a problem, refer to check 1.)



This completes the slider VR test.

Action :

check 1 :

L BOARD BR702...706, IC707, 708

R BOARD VR201

PANEL L BOARD CN705 ⇔ MAIN BOARD CN11

PANEL R BOARD CN201 ⇔ MAIN BOARD CN12

MAIN BOARD IC7

4 : Pedal/breath controller test

Summary : Check the operation of the pedal/breath controller.

Procedure : Press numeric key 4 to enter the pedal/breath controller test.



Connect the EV-5 to FC1, FC2, and TOTAL VOL and move the pedal, checking that the displayed "C1", "C2", and "Vo" values change from 0--10.

(If there is a problem, refer to check 1.)

**2 : LCDテスト**

概要 : LCDのムラやカケ等の異常表示やコントラストのコントロール回路の動作確認

作業 : テンキーの2を押して、LCDのテスト項目に入ります。



LCDのピクセルが全点灯します。

LCDの表示にムラ及びカケがないか確認をします。

(異常であればcheck1を確認して下さい。)



INC/DEC(またはDATA ENTRYスライダー)でLCDのコントラストが変化することを確認します。

(異常であればcheck1を確認して下さい。)



LCDテスト終了です。

対処方法 :

check1 :

LCD UNIT

LCD UNIT ⇔ MAIN BOARD CN5

MAIN BOARD IC12

3 : スライダーVRテスト

概要 : スライダーボリュームの動作確認

作業 : テンキーの3を押してスライダーVRテスト項目に入ります。



TOTALからDATA ENTRYまでの6つのスライダーをそれぞれ上下に動かしながら、動きに追従し値が0-10と変化することを確認します。

(異常であればcheck1を確認して下さい。)



スライダーVRテスト終了です。

対処方法 :

check1 :

L BOARD VR702...706, IC707, 708

R BOARD VR201

PANEL L BOARD CN705 ⇔ MAIN BOARD CN11

PANEL R BOARD CN201 ⇔ MAIN BOARD CN12

MAIN BOARD IC7

4 : ペダル/ブレスコントローラテスト

概要 : ペダル/ブレスコントローラの動作確認

作業 : テンキーの4を押してペダル/ブレスコントローラテスト項目に入ります。



EV-5をFC1, FC2, TOTAL VOLに接続してペダリングすると共に、"C1", "C2", "Vo"の表示の値が0-10に変化することを確認します。

(異常であればcheck1を確認して下さい。)



Connect the DP-6 to FS1, FS2, and HOLD and move the pedal, checking that the displayed "S12" and "H" values change from "0" to "-".

(If there is a problem, refer to check2.)



Connect the breath controller test device to the EV-5 and connect it to the A-90. Operate the pedal and check that the "Br" display value changes from 0-10.

(If there is a problem, refer to check 1.)



This ends the pedal/breath controller test.

Action :

check 1 :

JACK B BOARD JK101, 102, 105, 114
 JACK B BOARD CN101 ⇔ PANEL L BOARD CN706
 PANEL L BOARD IC708
 PANEL L BOARD CN705 ⇔ MAIN BOARD CN11
 MAIN BOARD IC7

check2 :

JACK B BOARD JK103, 104, 106
 JACK B BOARD CN102 ⇔ MAIN BOARD CN8
 MAIN BOARD IC7

5 : Bender value setting

Summary : Specify the dead region at the center of the bender

Procedure : Press numeric key 5 to enter the bender setting item.



The MIN and MAX values of the current dead area will be displayed.

Lower the bender all the way to the left, gradually return it to the center and press TRANSPOSE to set the MIN value.

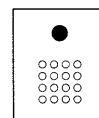
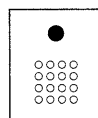
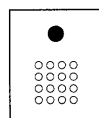


Raise the bender all the way to the right, gradually return it to the center and press PORTAMENTO to set the MAX value.



This completes the bender settings.

TRANSPOSE MONO PORTAMENTO



NOTE : After setting the bender values, be sure to perform the bender/wheel test to check operation.

* If after performing the bender/wheel test you were unsuccessful in making the setting, use the following procedure to manually set the dead region.

DP-6をFS1,FS2,HOLDに接続してペダリングすると共に、"S12","H"の表示の値が"0","-"に変化することを確認します。

(異常であればcheck2を確認して下さい。)



EV-5にブレスコントローラ治具を付け本体に接続しペダリングします。

"Br"の表示の値が0-10に変化することを確認します。

(異常であればcheck1を確認して下さい。)



ペダル/ブレスコントローラテスト終了です。

対処方法 :

check1 :

JACK B BOARD JK101,102,105,114
 JACK B BOARD CN101 ⇔ PANEL L BOARD CN706
 PANEL L BOARD IC708
 PANEL L BOARD CN705 ⇔ MAIN BOARD CN11
 MAIN BOARD IC7

check2 :

JACK B BOARD JK103,104,106
 JACK B BOARD CN102 ⇔ MAIN BOARD CN8
 MAIN BOARD IC7

5 : ベンダー値設定

概要 : ベンダーのセンター付近不感帯を設定
 作業 : テンキーの5を押して、ベンダー設定項目に入ります。



現在の不感帯のMIN,MAXが表示されます。
 ベンダーを左いっぱいまで下げゆっくりセンターへ戻して、TRANSPOSEを押してMINの値を設定します。



ベンダーを右いっぱいまで上げゆっくりセンターへ戻して、PORTAMENTOを押してMAXの値を設定します。



ベンダー設定終了です。

注意 : ベンダー値の設定を行った後は必ずベンダー/ホイールテストで動作確認を行って下さい。

* ベンダー/ホイールテストを行っても、設定がうまくいかない場合は、次の方法でマニュアルで不感帯を設定できます。

◇ Manual adjustment of the dead region

1. Use the "<" cursor key to select MIN setting mode.
2. Use the ">" cursor key to select MAX setting mode.
3. Use the INC and DEC keys to increase/decrease the setting.

6 : Bender/wheel test

B-	B+	Bm	W+	W-	Wm
(1)	(2)	(3)	(4)	(5)	(6)

Summary : Check the operation of the bender and wheels.

Procedure : Press numeric key 6 to enter bender/wheel test mode.

↓

Move the bender toward the left and check that (1) in the diagram changes from 0 to over 6(See NOTE1).

When the bender is released, the value should be 0.

(If there is a problem, check the bender value setting, and the items of check 1.)

↓

Move the bender toward the right and check that (2) in the diagram changes from 0 to over 6(See NOTE1).

When the bender is released, the value should be 0.

(If there is a problem, check the bender value setting, and the items of check 1.)

↓

Move the bender toward the rear and check that (3) in the diagram changes from 0 to over 6(See NOTE1).

(If there is a problem, check the items of check 1.)

↓

Move wheel 1 toward the rear and check that (4) in the diagram changes from 0 to over 6(See NOTE1).

(If there is a problem, check the items of check 2.)

↓

Move wheel 1 toward yourself and check that (5) in the diagram changes from 0 to over 6(See NOTE1).

(If there is a problem, check the items of check 1.)

↓

Move wheel 2 toward yourself and check that (6) in the diagram changes from 0 to over 6(See NOTE1).

(If there is a problem, check the items of check 1.)

↓

This completes the bender/wheel test.

Action :

check 1 :

BENDER ⇔ PANEL L BOARD CN702
 PANEL L BOARD IC705, 707
 PANEL L BOARD CN705 ⇔ MAIN BOARD CN11
 MAIN BOARD IC7

◇ 不感帯のマニュアル調整法

1. カーソルキー” < ” でMINの設定モードへ
2. カーソルキー” > ” でMAXの設定モードへ
3. INC、DECキーで値の増減

6 : ベンダー／ホイールテスト

概要 : ベンダーやホイールの動作確認

作業 : テンキー6を押してベンダー／ホイールテストモードに入ります。

↓

ベンダーを左側に動かしながら図の(1)が0~6以上(注意1参照)に変化することを確認します。

ベンダーを離しているときは値が0であること。(異常であればベンダー値の設定、check1を確認して下さい。)

↓

ベンダーを右側に動かしながら図の(2)が0~6以上(注意1参照)に変化することを確認します。

ベンダーを離しているときは値が0であること。(異常であればベンダー値の設定、check1を確認して下さい。)

↓

ベンダーをリア側に動かしながら図の(3)が0~6以上(注意1参照)に変化することを確認します。

(異常であればcheck1を確認して下さい。)

↓

ホイール1をリア側に動かしながら図の(4)が0~6以上(注意1参照)に変化することを確認します。

(異常であればcheck2を確認して下さい。)

↓

ホイール1を手前に動かしながら図の(5)が0~6以上(注意1参照)に変化することを確認します。

(異常であればcheck1を確認して下さい。)

↓

ホイール2を手前からリア側に動かしながら図の(6)が0~6以上(注意1参照)に変化することを確認します。

(異常であればcheck1を確認して下さい。)

↓

ベンダー／ホイールテスト終了です。

対処方法 :

check 1 :

BENDER ⇔ PANEL L BOARD CN702
 PANEL L BOARD IC705,707
 PANEL L BOARD CN705 ⇔ MAIN BOARD CN11
 MAIN BOARD IC7

check 2 :

WHEEL ⇔ PANEL L BOARD CN701
 PANEL L BOARD IC706, 707, 708
 PANEL L BOARD CN705 ⇔ MAIN BOARD CN11
 MAIN BOARD IC7

NOTE1

For the products that its program ROM version number is after 1.04, you can judge its working as normalcy if the max value of the sensor is more over [6].

However, for the products that its Program ROM version number is 1.00 from 1.03, it is necessary to check that max value of the sensor teaches to [10].

check2 :

WHEEL ⇔ PANEL L BOARD CN701
 PANEL L BOARD IC706,707,708
 PANEL L BOARD CN705 ⇔ MAIN BOARD CN11
 MAIN BOARD IC7

注意1

ROMバージョンが1.04以降の製品はセンサーの最大値が「6」以上であれば正常です。
 但し、ROMバージョン1.03以前の製品については表示されるセンサーの最大値が必ず「10」であることを確認して下さい。

7 : MIDI test

I1	I2	O1	O2	O3	O4
(1)	(2)	(3)	(4)	(5)	(6)

Summary : Test the operation of the MIDI IN, OUT, and THRU jacks

Procedure : Press numeric key 7 to enter the MIDI test item.

↓
 Use a single MIDI cable to connect IN2 and OUT1, and check that display items (2) and (3) change from "-" to "0".

↓
 Use another MIDI cable to connect IN1 and THRU, and check that display item (1) changes from "-" to "0".
 (If there is a problem, refer to check 1.)

↓
 Leaving the IN2/OUT1 MIDI cable connected to IN2, connect the other end of the cable successively to OUT2, OUT3, and OUT4, and check that display items (4), (5), and (6) change from "-" to "0".
 (If there is a problem, refer to check 1.)

↓
 This ends the MIDI test.

Action :

check 1 :
 JACK B BOARD Q112, IC101, 102, 103
 JACK B BOARD CN102 ⇔ MAIN BOARD CN8
 MAIN BOARD IC11

8 : CARD test

POn	POf	EO	EN	R/W
(1)	(2)	(3)	(4)	(5)

Summary : Check writing to card, and check the card battery checking function

Procedure : Press numeric key 8 to enter the CARD test item.

↓

7 : MIDIテスト

概要 : MIDIのIN、OUT、THRU端子の動作確認

作業 : テンキーの7を押して、MIDIテスト項目に入ります。

↓
 一本のMIDIケーブルをIN2,OUT1に接続して、図(2), (3)の表示が"-"から"0"に変わることを確認します。

↓
 もう一本をIN1,THRUに接続して、図(1)の表示が"-"から"0"に変わることを確認します。
 (異常が有ればcheck1を参考にして下さい。)

↓
 IN2,OUT1のMIDIケーブルのIN2を接続したまま、もう一方を順次OUT2とOUT3とOUT4に接続して、図(4), (5), (6)の表示が"-"から"0"に変わるかを確認します。
 (異常が有ればcheck1を参考にして下さい。)

↓
 MIDIテスト終了です。

対処方法 :

check1 :
 JACK B BOARD Q112,IC101,102,103
 JACK B BOARD CN102 ⇔ MAIN BOARD CN8
 MAIN BOARD IC11

8 : CARDテスト

概要 : カードの読み書き及び、カード内蔵電池のチェック機能の確認

作業 : テンキーの8を押して、CARDテスト項目に入ります。

↓

Insert a card with its battery removed and its protect switch ON, and check that display items (1) and (4) change from "-" to "0"

(If there is a problem, refer to check 1.)



Insert a card with its battery inserted and its protect switch OFF, and check that display items (2), (3) and (5) change from "-" to "0", and that the keyboard test is begun.

(If there is a problem, refer to check 1.)



This completes the CARD test.

Action :

check 1 :

CARD BOARD ⇔ MAIN BOARD CN201, 1

CARD BOARD IC201

9 : Keyboard test

Summary : Test keyboard and audio signal operation

Procedure : Press numeric key 9 to enter the keyboard test item.



Press a desired key and check that the key number, on-velocity, and off-velocity are displayed correctly.

Check that the piano sound appropriate for each key is output.*

(If there is a problem, refer to check 1.)



Apply pressure to a desired key, and check that aftertouch changes in the range 0 to over 6(See NOTE1).

(If there is a problem, refer to check 2.)



This ends the keyboard test.

- * If a VE series unit is installed in the A-90 and the OUTPUT jack is connected to an amp, a piano sound will be heard.

Action :

check 1 :

KEYBOARD ⇔ MAIN BOARD CN2,3

MAIN BOARD IC1

check 2 :

KEYBOARD ⇔ AFT BOARD CN402

AFT BOARD CN401 ⇔ PANEL L BOARD CN703

PANEL L BOARD IC706, 707

PANEL L BOARD CN705 ⇔ MAIN BOARD CN11

MAIN BOARD IC7

NOTE1

For the products that its program ROM version number is after 1.04, you can judge its working as normalcy if the max value of the sensor is more over [6].

However, for the products that its Program ROM version number is 1.00 from 1.03, it is necessary to check that max value of the sensor teaches to [10].

電池を抜いてプロテクトスイッチをONにしたCARDを挿入して、図(1), (4)の表示が"-"から"0"に変わることを確認します。

(異常があればcheck1を参考にして下さい。)



電池を入れてプロテクトスイッチをOFFにしたCARDを挿入して、図(2), (3), (5)の表示が"-"から"0"に変わって、キーボードテストなることを確認します。

(異常があればcheck1を参考にして下さい。)



CARDテスト終了です。

対処方法 :

check1 :

CARD BOARD ⇔ MAIN BOARD CN201,1

CARD BOARD IC201

9 : キーボードテスト

概要 : キーボードの動作及び音声信号確認

作業 : テンキーの9を押して、キーボードテスト項目に入ります。



任意のキーを叩いて、キーナンバー、オンベロシティ、オフベロシティは正しくでていることを確認します。

各キーに対応したピアノの音が出ていることを確認します。*

(異常があればcheck1を参考にして下さい。)



任意のキーを押し込んでみる。

アフタータッチは0~6以上 (注意1参照) に変化することを確認します。

(異常があればcheck2を参考にして下さい。)



キーボードテスト終了です。

- * VEシリーズを本体にセットし、OUTPUTジャックにアンプを接続しておけば、ピアノの音が出ます。

対処方法 :

check1 :

KEYBOARD ⇔ MAIN BOARD CN2,3

MAIN BOARD IC1

check2 :

KEYBOARD ⇔ AFT BOARD CN402

AFT BOARD CN401 ⇔ PANEL L BOARD CN703

PANEL L BOARD IC706,707

PANEL L BOARD CN705 ⇔ MAIN BOARD CN11

MAIN BOARD IC7

注意1

ROMバージョンが1.04以降の製品はセンサーの最大値が「6」以上であれば正常です。

但し、ROMバージョン1.03以前の製品については表示されるセンサーの最大値が必ず「10」であることを確認して下さい。

9 : Audio signal output test

Summary : Check LINE-OUT (unbalanced, balanced, L(MONO)) etc.




Supplementary explanations (functions) :

- The line output of the A-90 is unbalanced/balanced. When a stereo plug is inserted, the output will be balanced. When a standard plug is inserted, the output will be unbalanced. The balanced output and unbalanced output are designed to have no difference in level, but note that the impedance does differ between balanced and unbalanced.
Unbalanced output : 300 ohms
Balanced output : 600 ohms
- If a plug is not inserted into LINE OUT R, the L and R channels will be mixed and output from LINE OUT L. This is referred to as L(MONO).

Procedure : Turn off the power, and install the VE-GS1 into the A-90.

Enter test mode, and press numeric key 9 to enter the keyboard test item.

As shown in the following diagram, press the TRANSPOSE, MONO, or PORTAMENTO keys to output a sine wave from LINE OUT.

Switch operation		
TRANSPOSE  press	MONO  press	PORTAMENTO  press
Output a sine wave from LINE OUT and PHONES OUT L only.	Output a sine wave from LINE OUT and PHONES OUT L and R.	Output a sine wave from LINE OUT and PHONES OUT R only.

9 : 音声信号出力テスト

概要 : LINE-OUT (アンバランス、バランス、L (MONO)) 等のチェック。




追記説明 (機能) :

- A-90のライン出力は、アンバランス-バランス対応となっています。ステレオプラグを挿入するとバランス出力となり、標準プラグを挿入するとアンバランス出力となります。バランス出力とアンバランス出力のレベルの差がない設計となっていますが、出力インピーダンスは、バランスとアンバランスでは異なりますので注意して下さい。
アンバランス出力時 : (300Ω)
バランス出力時 : (600Ω)
- LINEOUTRにプラグが挿してないと、LchとRchがミックスされてLINEOUTLから出力されます。これを、L (MONO) といいます。

作業 : 電源オフにして、VE-GS1を本体にセットします。

テストモードに入り、テンキーの9を押して、キーボードテスト項目に入ります。

下図指示の、TRANSPOSE, MONO, PORTAMENTOのキーを押すことによりLINE OUTに正弦波が出力されます。

スイッチ操作		
TRANSPOSE  押す	MONO  押す	PORTAMENTO  押す
正弦波を、LINE OUTとPHONES OUT Lのみ出力する。	正弦波を、LINE OUTとPHONES OUT LとRに出力する。	正弦波を、LINE OUTとPHONES OUT Rのみ出力する。

The following table shows the values that should be detected. Check that the oscilloscope shows a clean sine wave, and that the wave height value of each waveform is correct. (If there is a problem, refer to check 1.)

Checking the unbalanced output

		Switch operation		
		TRANSCOPE ● press	MONO ● press	PORTAMENTO ● press
Stereo	L	LEVEL -2dBm P-P 1.8V	/	No output
	R	No output	/	LEVEL -2dBm P-P 1.8V
Mono	L Mono	LEVEL -8dBm P-P 860mV	LEVEL -7dBm P-P 1V	LEVEL -8dBm P-P 860mV

下の表に測定値を記してます。オシロスコープで綺麗な正弦波であることと、各波形の波高値が正しい事を確認して下さい。(異常があれば、check1を参考にして下さい。)

アンバランス出力の確認。

		スイッチ操作		
		TRANSCOPE ● 押す	MONO ● 押す	PORTAMENTO ● 押す
ステレオ	L	LEVEL -2dBm P-P 1.8V	/	出力しない
	R	出力しない	/	LEVEL -2dBm P-P 1.8V
モノラル	L Mono	LEVEL -8dBm P-P 860mV	LEVEL -7dBm P-P 1V	LEVEL -8dBm P-P 860mV

Checking the balanced output

		Switch operation		
		TRANSCOPE ● press	MONO ● press	PORTAMENTO ● press
Stereo	L HOT-GND or COLD-GND	LEVEL -8dBm P-P 900mV	/	No output
	R HOT-GND or COLD-GND	No output	/	LEVEL -8dBm P-P 900mV
Mono	L Mono HOT-GND or COLD-GND	LEVEL -14dBm P-P 450mV	LEVEL -12.5dBm P-P 530mV	LEVEL -14dBm P-P 450mV

バランス出力の確認。

		スイッチ操作		
		TRANSCOPE ● 押す	MONO ● 押す	PORTAMENTO ● 押す
ステレオ	L HOT-GND もしくは COLD-GND	LEVEL -8dBm P-P 900mV	/	出力しない
	R HOT-GND もしくは COLD-GND	出力しない	/	LEVEL -8dBm P-P 900mV
モノラル	L Mono HOT-GND もしくは COLD-GND	LEVEL -14dBm P-P 450mV	LEVEL -12.5dBm P-P 530mV	LEVEL -14dBm P-P 450mV

Mute check

Procedure : Connect an amp to the line output. Raise the amp and the INT slider volume of the A-90 to maximum.

Check that when the A-90 power is turned on, there is no pop noise from the amp and the LCD is not garbled. (If there is a problem, refer to check 1.)

Check for the same items when the power is turned off.

ミュートチェック

作業 : ラインアウトにアンプをつなげます。アンプと本体INTスライダーボリュームは最大にします。

A90の電源ON時に、アンプからポップノイズがしないことやLCDが乱れないことを確認します。(異常があれば、check1を参考にして下さい。)

また、電源オフ時のときも同様に確認をします。

Headphone output check

Procedure : Turn off the power, and connect headphones and the VE-GS1 to the A-90.

Enter test mode, and press numeric key 9 to enter the keyboard test item.

Press the TRANSPOSE, MONO, and PORTAMENTO switches and check that sound is output from the headphones as shown in the following table.

(If there is a problem, refer to check 2.)

Switch operation		
TRANSPOSE	MONO	PORTAMENTO
● press	● press	● press
Heard from only the right side in the headphones	Heard from both sides in the headphones	Heard from only the left side in the headphones

Continue with the volume check.

Press the MONO switch, and move the INT slider volume from top to bottom, and check that the sound does not crackle or break.

(If there is a problem, refer to check 3.)

This completes the audio output check.

Action :

check 1 :

VE-GS1 CONNECT RETRY
 PANEL L ⇔ MAIN CN11 (CABLE)
 PANEL L ⇔ JACK MAIN CN11 (CABLE)
 MAIN IC17, IC15, IC16
 PANEL L IC701, IC702, IC703

check 2 :

PANEL L ⇔ JACK MAIN CN11 (CABLE)
 MAIN Q3, Q4, Q5, Q6, Q7
 MAIN DA5, DA6
 PANEL L Q701, Q702, Q703, Q704

check 3 :

PANEL L VR701

SAVING AND LOADING USER DATA

This procedure will save the following data to memory card;

- System settings
- Manual mode settings
- All performances
- All chains

* If other settings have been saved in the memory card, they will all be overwritten.

ヘッドホン出力チェック

作業 : 電源オフにして、ヘッドホンとVE-GS1を本体にセットします。

テストモードに入りテンキーの9を押して、キーボードテスト項目に入ります。

TRANSPOSE, MONO, PORTAMENTOのスイッチを押して下図に振り当てた通りに、ヘッドホンから音が出力していることを確認します。(異常があれば、check2を参考にして下さい。)

スイッチ操作		
TRANSPOSE	MONO	PORTAMENTO
● 押す	● 押す	● 押す
ヘッドホンから右だけ聞こえます	ヘッドホンから両方同じ音量で聞こえます	ヘッドホンから左だけ聞こえます

ひきつづきボリュームのチェック

MONOスイッチを押して、INTスライダーボリュームを上から下まで動かして、ガリや音が絞れるかを確認します。

(異常があれば、check3を参考にして下さい。)

音声出力検査終了です。

対処方法 :

check1 :

VE-GS1 CONNECT RETRY
 PANEL L ⇔ MAIN CN11 (CABLE)
 PANEL L ⇔ JACK MAIN CN11 (CABLE)
 MAIN IC17, IC15, IC16
 PANEL L IC701, IC702, IC703

check2 :

PANEL L ⇔ JACK MAIN CN11 (CABLE)
 MAIN Q3, Q4, Q5, Q6, Q7
 MAIN DA5, DA6
 PANEL L Q701, Q702, Q703, Q704

check3 :

PANEL L VR701

ユーザーデータのセーブとロード

この操作で、

- システムの設定
- マニュアルモードの設定
- パフォーマンス全て
- チェーン全て

をメモリーカードに保存できます。

* メモリーカードに他の設定が保存されている場合は、全て上書きされます。

◇ Saving from internal memory to memory card.

1. Insert the memory card into the DATA CARD slot.
2. Turn the protect switch of the memory card OFF.
3. Press the UTILITY button to enter Utility mode, use the <> keys to select CPY, and press ENTER.
4. Use the <> keys to select CARD, and press ENTER.
5. Use the <> keys to select I → C.
6. You will be asked to confirm the saving operation. Press ENTER to answer Yes, or EXIT to answer No.

◇ Restoring from memory card to internal memory

1. Insert the memory card into the DATA CARD slot.
2. Press the UTILITY button to enter Utility mode, use the <> keys to select CPY, and press ENTER.
3. Use the <> keys to select CARD, and press ENTER.
4. Use the <> keys to select C → I.
5. You will be asked to confirm the write operation. Press ENTER to answer Yes, or EXIT to answer No.

◇ 内部メモリーからメモリーカードに保存する

1. メモリーカードをDATA CARDスロットに差し込みます。
2. メモリーカードのプロテクト・スイッチをOFFにします。
3. UTILITYのボタンを押しユーティリティ・モードに入り、<>キーでCPYを選びENTERを押します。
4. <>キーでCARDを選びENTERを押します。
5. <>キーでI→Cを選びます
6. 保存するかどうか確認を求めてきます。YesならENTER、NoならEXITを押します。

◇ メモリーカードから内部メモリーに戻す

1. メモリーカードをDATA CARDスロットに差し込みます。
2. UTILITYのボタンを押しユーティリティ・モードに入り、<>キーでCPYを選びENTERを押します。
3. <>キーでCARDを選びENTERを押します。
4. <>キーでC→Iを選びます
5. 書き込むかどうか確認を求めてきます。YesならENTER、NoならEXITを押します。

INITIALIZING THE INTERNAL RAM

1. If the MANUAL button is held down while you turn the power on, the voice expansion board that is installed will automatically be detected, and internal RAM will be initialized for that expansion board.
If the CHAIN button is held down while you turn the power on, internal RAM will be initialized for the VE-RD1 regardless of whether or not a voice expansion board is present.
If the EDIT button is held down while you turn the power on, internal RAM will be initialized to the settings for when an expansion board is not installed, regardless of whether a voice expansion board is present.
2. After turning on the power while holding down a button, press the ENTER button to execute the desired type of initialization.

内部RAMの初期化

1. MANUALボタンを押しながら電源を入れると、内蔵しているボイスエキスパンションボードを自動判別し、そのエキスパンション用にイニシャライズされます。
CHAINボタンを押しながら電源を入れると、ボイスエキスパンションボードの有無に関わらずVE-RD1用にイニシャライズされます。
EDITボタンを押しながら電源を入れると、ボイスエキスパンションボードの有無に関わらずエキスパンションボードを差さない設定にイニシャライズされます。
2. 各ボタンを押しながら電源を入れた後ENTERボタンを押すと、各設定にイニシャライズされます。

UPGRADING THE FLASH ROM SOFTWARE VERSION

The A-90 contains flash ROM, allowing the program version to be updated via MIDI.

フラッシュROMのバージョンアップの方法

A-90はフラッシュメモリーを搭載したことでMIDIからプログラムのバージョンアップが可能です。

Caution : If the power supply fails while flash ROM is being written into, the data in flash ROM will be destroyed and it will be impossible to ever again rewrite it. If this occurs it will be necessary to replace the ROM. Perform this operation in an environment where it is unlikely that the power to the A-90 will be interrupted, or that other accidents could occur.

◇ Necessary items

A-90/EX software update disk (part code 17048274)
 SMF player (SB-55 etc. Anything that will playback SMF will do.)
 Foot pedal (DP-6) x 2 (or two mono dummy (=open) plugs are also ok.)
 MIDI cable
 M-512E memory card

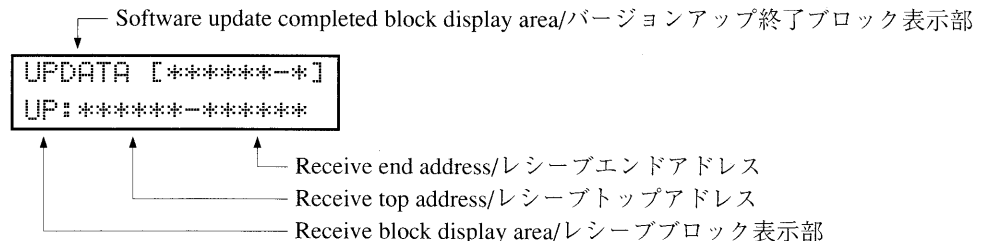
* The software update disk contains the A-90 program converted into SMF data. Obtain the latest version from the service center. The filenames are as follows.

_00001.mid
 _00002.mid
 :
 _00008.mid

_00008.mid will always exist, and _00001.mid—
 _00007.mid may or may not exist depending on the program size.

◇ Update procedure

0. As necessary, save the user memory to a memory card. The contents of user memory will be lost during the software update.
1. Connect pedals (or mono dummy (=open) plugs) to the HOLD and FS1 jacks of the A-90.
2. Connect the MIDI OUT of the SMF player to the MIDI *IN2* of the A-90.
3. Press both pedals (if you have inserted mono dummy plugs those connections will be sufficient) , and while holding down the OUT1 button turn on the power. The LCD will show as follows;



and the A-90 will enter software update mode.

注 意:フラッシュROMに書き込み時に電源が落ちると、フラッシュROMのデータが破壊され二度と書換えができない状態になります。その場合はROMの張り替えが必要になります。途中でA-90の電源が落ちるなどの事故が起きにくい環境で作業を進めてください。

◇ 用意するもの

A-90/EXバージョンアップ用ディスク (パートコード17048274)
 SMFプレイヤー (SB-55等SMFが再生できればなんでもよい)
 フットペダル (DP-6) x2 (モノ空プラグ2個でも可)
 MIDIケーブル
 メモリーカードM-512E

* バージョンアップディスクにはA-90のプログラムをSMFにコンバートしたものが入っています。サービスセンターから最新の物を取り寄せて下さい。ファイルネームは

_00001.mid
 _00002.mid
 :
 _00008.mid

となっており、_00008.mid は必ず存在し、
 _00001.mid ~ _00007.mid はプログラムのサイズにより存在する場合としない場合があります。

◇ バージョンアップ作業

0. ユーザーメモリーを必要に応じてメモリーカードにセーブしておいて下さい。バージョンアップによりユーザーメモリーの内容は失われます。
1. ペダル (またはモノ空プラグ) をA-90のHOLDとFS1に接続します。
2. SMFプレイヤーのMIDIOUTをA-90のMIDI IN2に接続します。
3. 2つのペダルを踏み、(モノ空プラグの場合は接続するだけでよい) OUT1ボタンを押しながら電源を入れるとLCDに

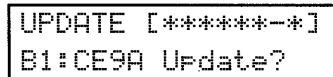
と表示され、バージョンアップモードになります。

4. Starting from the lowest-numbered filename, playback the files on the SMF player. (In the case of the SB-55, playback will begin automatically from _00001.mid.)
During reception, the Receive Block / Top Address / End Address will indicate the current status.

* The Receive Block will indicate;
_00001.mid B1 (Block 1)
_00002.mid B2 (Block 2)
:
_00008.mid B8 (Block 8)

* The Receive Top/End Blocks will indicate;
_00001.mid FF0000-FFFFFF
_00002.mid FE0000-FFFFFF
:
_00008.mid F80000-FFFFFF

5. When each file has finished playing, pause the SMF player. (In the case of the SB-55, caution must be used since the next file will begin to play.)
6. Check that the lower four digits of the Receive Top Address are 0000 and that the lower four digits of the Receive End Address are FFFF. Then press the ENTER button of the A-90 to get a display like the following.



Check sum display/チェックサム表示

After you confirm this by comparing the displayed value with the check sum printed on the disk label, press the ENTER button and the software update will begin.
If the check sum is different, press the EXIT button to return to the display of step 3, and transmit the file once again.

* When you press ENTER, the display will indicate
Erase -> Write -> CE9A-CE9A OK

During Erase or Write, be very careful to never let the power be interrupted. In the worst case, the A-90 may become incapable of starting up.

4. SMFプレイヤーでファイルネームの番号の小さいものから順の一つずつプレイします。(SB-55の場合は自動的に_00001.midから再生されます。)
レシーブ中はレシーブブロック/トップアドレス/エンド・アドレスにそれぞれの情報が表示されます。

* レシーブブロックには
_00001.mid B1 (Block 1)
_00002.mid B2 (Block 2)
:
_00008.mid B8 (Block 8)
と表示。

* レシーブトップ・エンドアドレスには
_00001.mid FF0000-FFFFFF
_00002.mid FE0000-FFFFFF
:
_00008.mid F80000-FFFFFF
と表示。

5. ひとつのファイルをプレイし終わったら、SMFプレイヤーを一旦止めます。(SB-55の場合は連続して次のファイルをプレイし始めるので注意が必要です)
6. レシーブトップアドレスの下4桁が0000であることとレシーブエンドアドレスの下4桁がFFFFであることを確認して、A-90のENTERボタンを押すと

* ENTERを押すと表示部に
Erase -> Write -> CE9A-CE9A OK

と表示されますが、Erase 及び Write 中には絶対に電源を落とさないよう御注意願います。最悪の場合A-90が立ち上がらなくなることがあります。

7. When the software update is completed, the display will indicate

```
UPDATE [1*****-**]
B1:CE9A-CE9A OK
```

and the block number will appear in the software update completed block display area to indicate that block 1 has been updated.

8. Press ENTER to get a display like the following.

```
UPDATA [1*****-**]
**:******-*****
```

Now transmit the next file.

9. Repeat steps 4 through 8 until all of the files have been transmitted.

When the software has been updated for all blocks, all of the asterisks "*" will be gone from the software update completed block display area, as in the following display.

```
UPDATA [123456-8]
**:******-*****
```

After verifying this status, turn the power off.

◇ Adjustment following software update

A software update will cause the user memory of the A-90 to be lost.

Thus, the following adjustments will be necessary.

The necessary adjustments are;

Bender value setting.

Initialization of user memory.

Loading of user memory from card (as necessary).

1. Center calibration of the bender

Refer to the bender value setting (number 5) in the test items.

2. Initialization of user memory

Refer to the item for initialization of internal RAM.

As necessary, load data from a memory card.

Refer to the items for saving and loading user memory.

7. バージョンアップが終了すると

と表示され、ブロック1がバージョンアップ出来たことを示すバージョンアップ終了ブロック表示部にブロックのNoが表示されます。

8. ENTERを押すと

といった表示になりますので、ここで次のファイルを送信してください。

9. 上記4から8の作業を全てのファイルを転送するまで行なって下さい。

全てのブロックのバージョンアップが終了すると

といったようにバージョンアップ終了ブロック表示部から*がなくなります。この状態を確認の後、電源を落として下さい。

◇ バージョンアップ後の調整

バージョンアップにより、A-90のユーザーメモリーは失われています。このために調整が必要です。

調整が必要なものは

ベンダー値設定。

ユーザーメモリーの初期化。

ユーザーメモリーへのカードからのロード(必要に応じて)。

です。

1. ベンダーのセンター合わせ

テストモード項目のベンダー値設定(5番)を参照して下さい。

2. ユーザーメモリーの初期化

内部RAMの初期化の項目を参照して下さい。

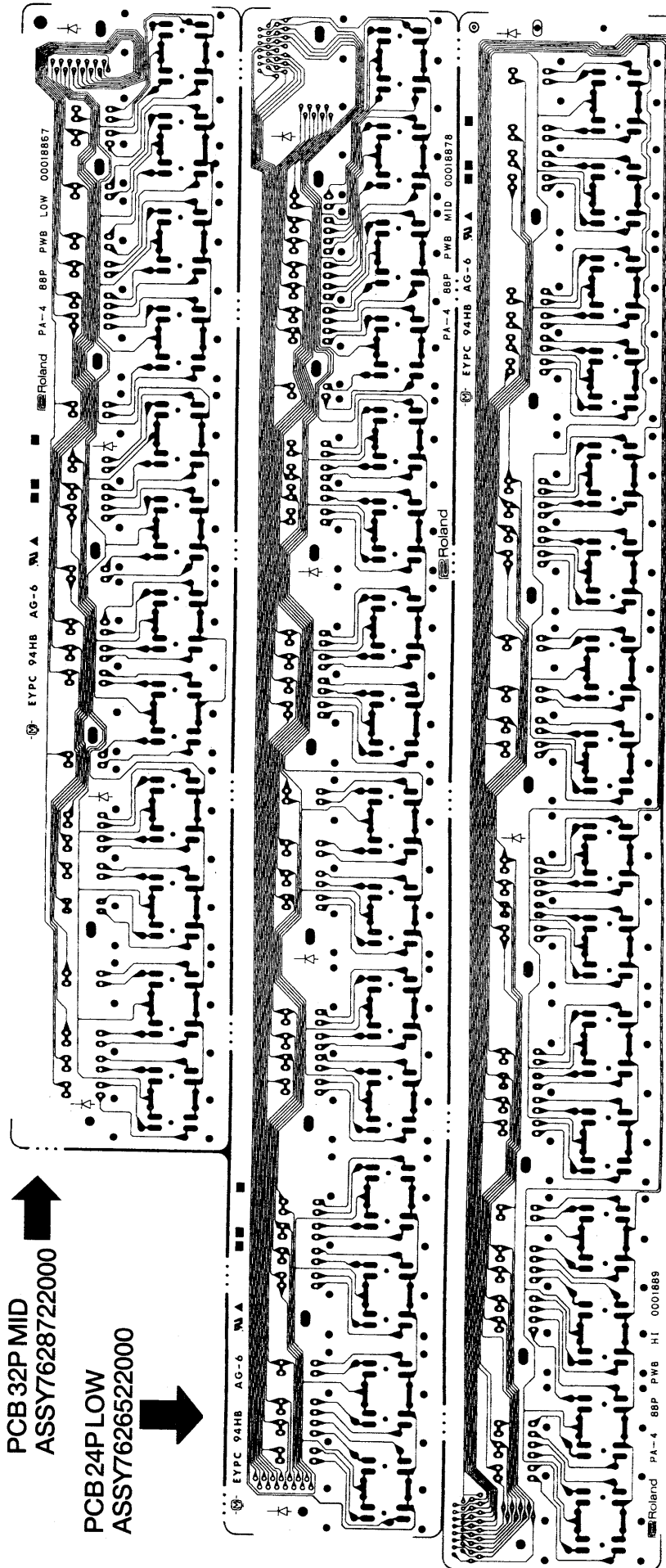
必要に応じてメモリーカードからデータを読み込んで下さい。

ユーザーデータのセーブとロードの項目を参照して下さい。

1 2 3 4 5 6 7 8 9 10 11 12 13 14 15 16 17 18 19 20 21

A CIRCUIT BOARD / 基板図 (KEYBOARD PA-4A88AFT-F ASSEMBLY)

A
B
C
D
E
F
G
H
I
J
K
L
M
N
O
P
Q
R
S
T
U
V



PCB 32P MID
ASSY7628722000

↑

PCB 24P LOW
ASSY7626522000

↑

View from solder side.

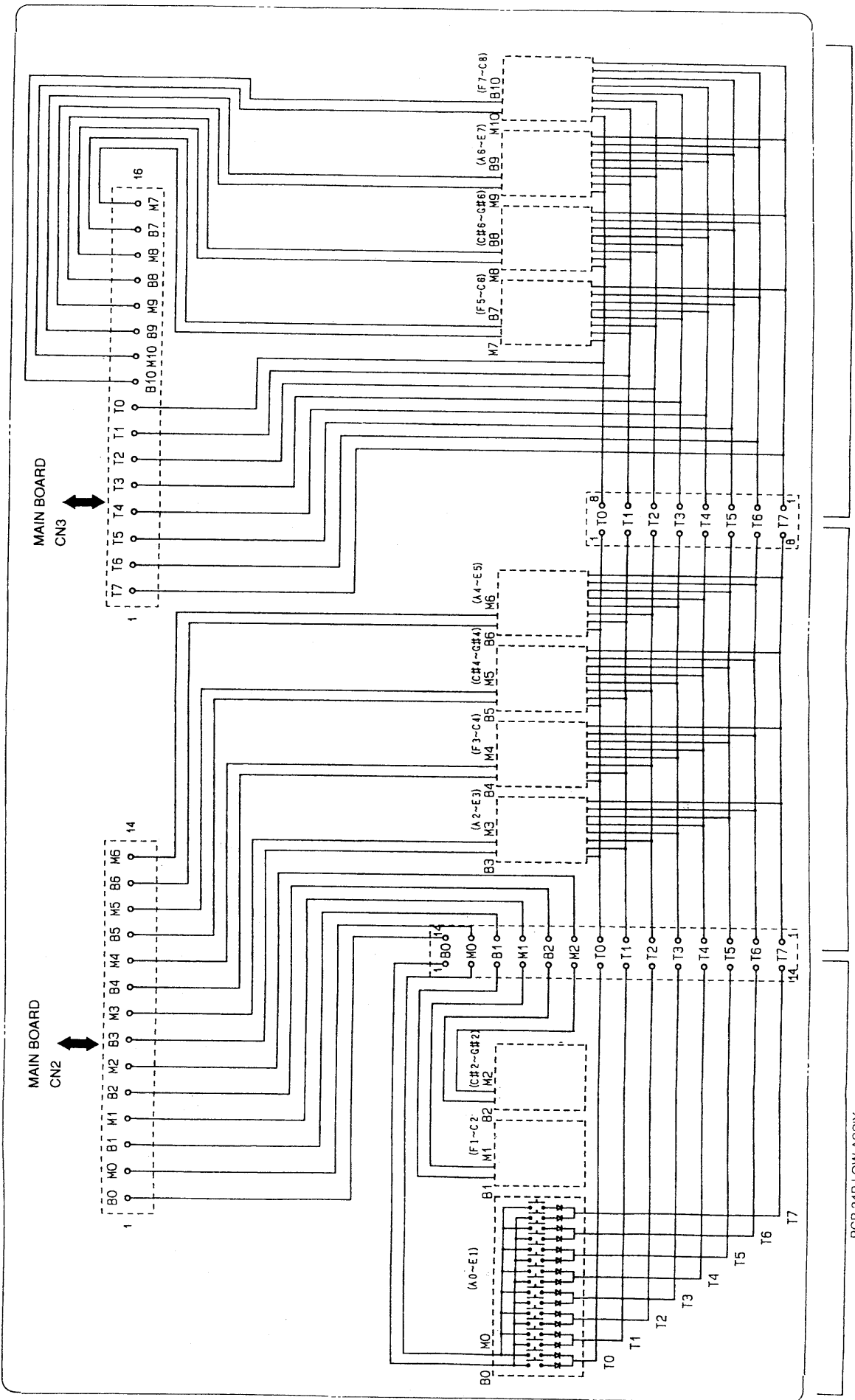


PCB 32P HI
ASSY7628723000

1 2 3 4 5 6 7 8 9 10 11 12 13 14 15 16 17 18 19 20 21

A CIRCUIT DIAGRAM / 回路図 (KEYBOARD PA-4A88AFT-F ASSEMBLY)

A
B
C
D
E
F
G
H
I
J
K
L
M
N
O
P
Q
R
S
T
U
V



A CIRCUIT BOARD / 基板図 (MAIN)

NOTE

When you replace the MAIN BOARD or Lithium battery, You must reperform bender adjustment.
 Refer to * [Bender value setting] item in the test mode.
 MAIN BOARDもしくはリチウムバッテリーを交換した際にはベンダーの再設定が必要になります。
 詳しくはテストモード「ベンダー値設定」の項目をお読み下さい。

For Nordic Countries

Apparatus containing Lithium batteries

ADVARSEL!

Lithiumbatteri - Eksplosjonsfare ved feilagtig håndtering.
 Udsiftingning må kun ske med batteri af samme fabrikat og type.
 Levér det brugte batteri tilbage til leverandøren.

VARNING!

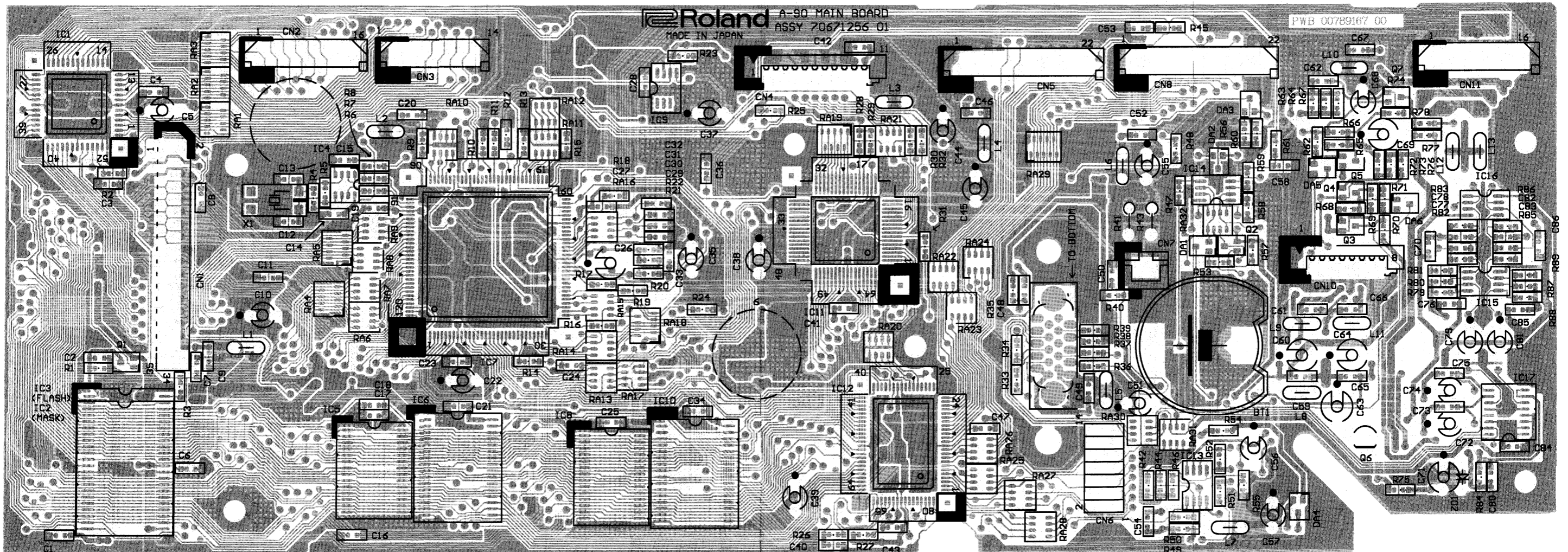
Explosionsfara vid felaktigt batteribyte.
 Använd samma batterityp eller en ekvivalent typ som rekommenderas av apparattillverkaren.
 Kassera använt batteri enligt fabrikantens instruktion.

ADVARSEL!

Lithiumbatteri - Eksplosjonsfare.
 Ved utskifting benyttes kun batteri som anbefalt av apparatfabrikanten.
 Brukt batteri returneres apparatleverandøren.

VAROITUS!

Paristo voi räjähtää, jos se on virheellisesti asennettu.
 Vaihda paristo ainoastaan laitevalmistajan suositttelemaan tyyppiin. Hävitä käytetty paristo valmistajan ohjeiden mukaisesti.



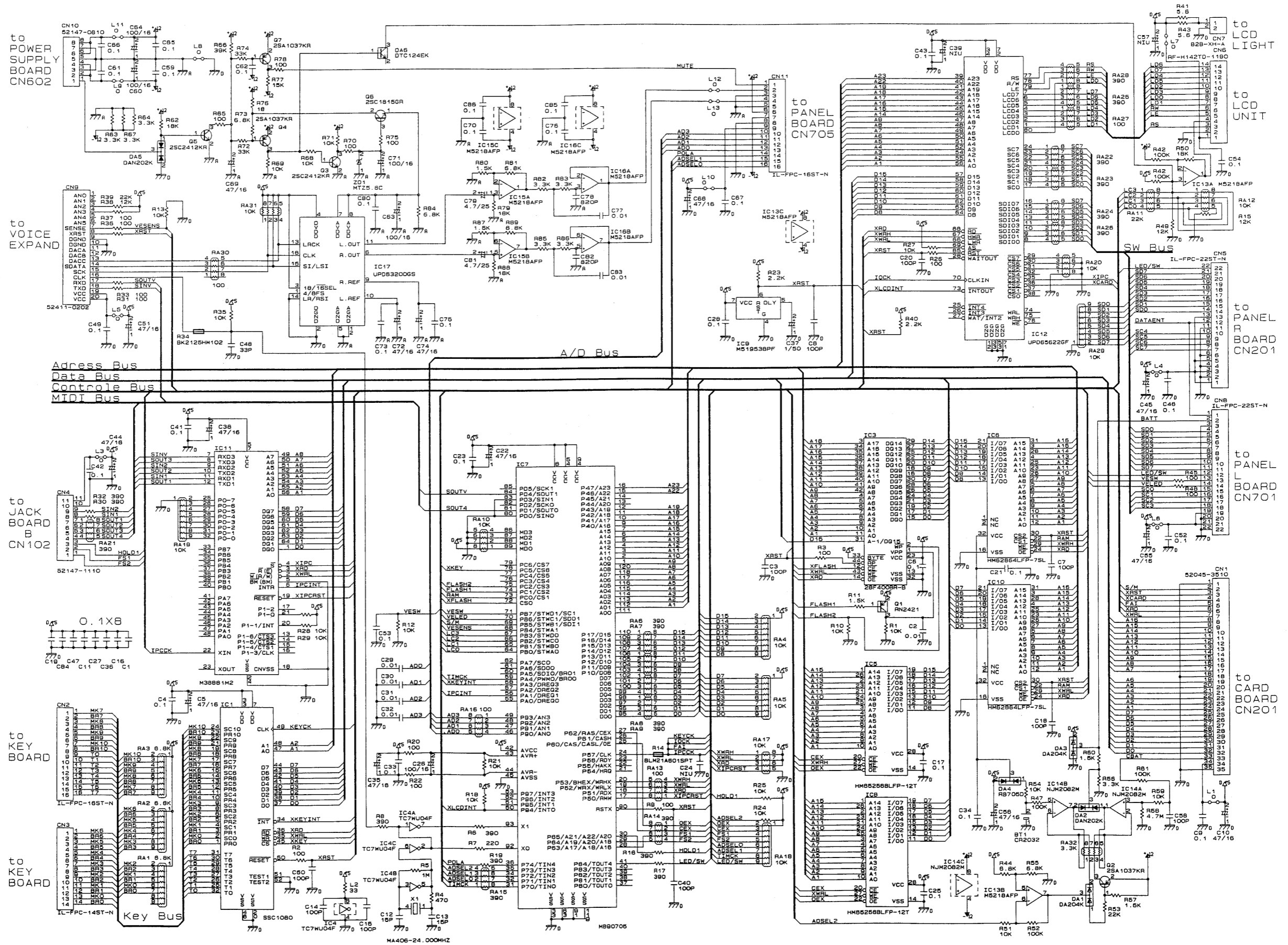
View from components side.

A
B
C
D
E
F
G
H
I
J
K
L
M
N
O
P
Q
R
S
T
U
V

1 2 3 4 5 6 7 8 9 10 11 12 13 14 15 16 17 18 19 20 21 22 23 24 25 26 27 28 29 30 31 32 33 34 35 36 37 38 39 40

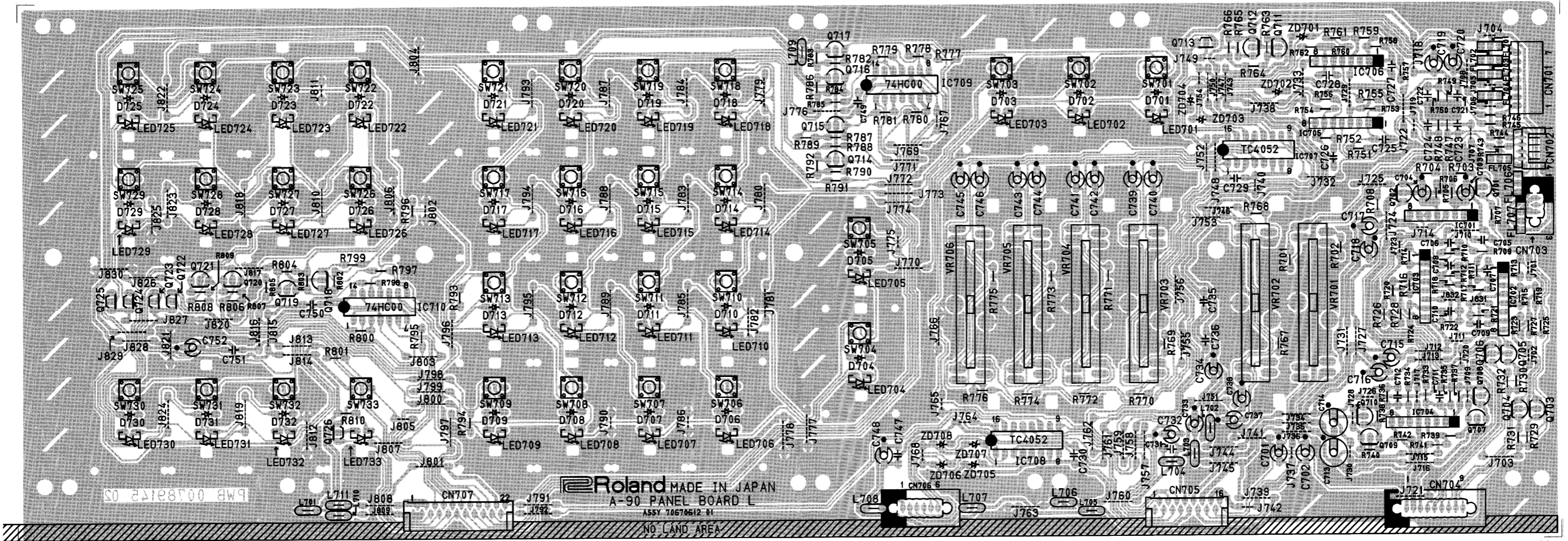
A CIRCUIT DIAGRAM / 回路図 (MAIN)

A
B
C
D
E
F
G
H
I
J
K
L
M
N
O
P
Q
R
S
T
U
V



A CIRCUIT BOARD / 基板図 (PANEL L)

B
C
D
E
F
G
H
I
J
K
L
M
N
O
P
Q
R
S
T
U
V

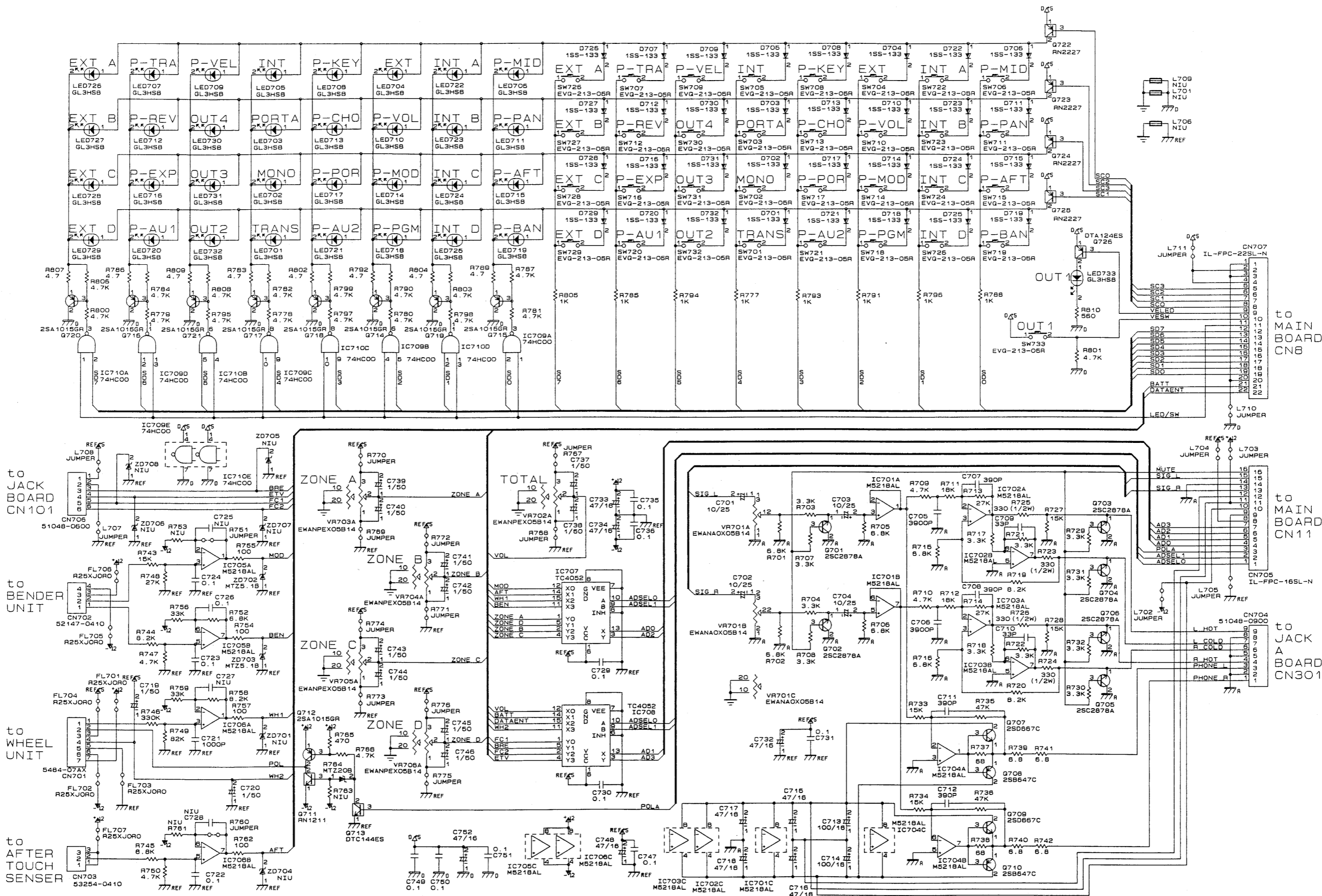


View from components side.

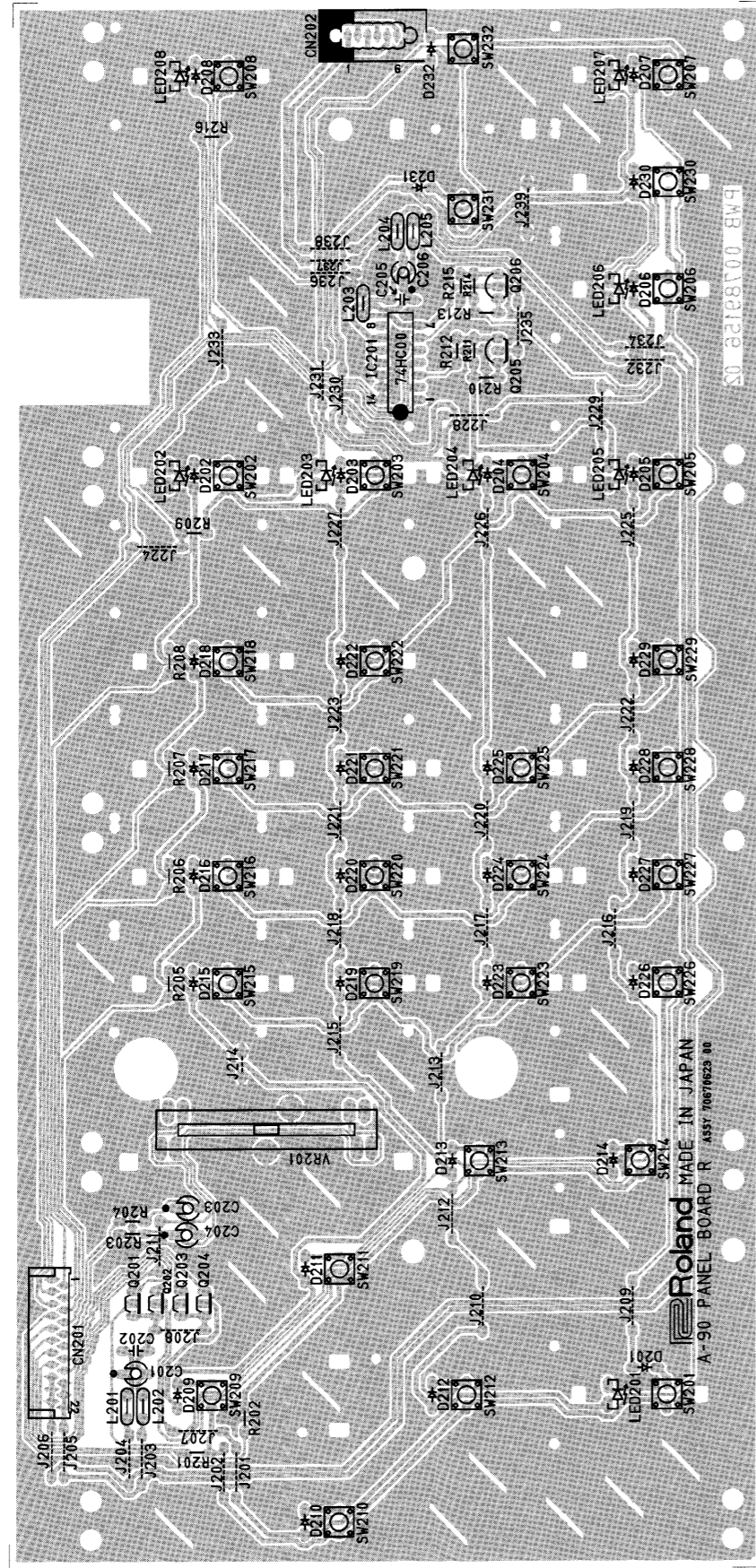
1 2 3 4 5 6 7 8 9 10 11 12 13 14 15 16 17 18 19 20 21 22 23 24 25 26 27 28 29 30 31 32 33 34 35 36 37 38 39 40

A CIRCUIT DIAGRAM / 回路図 (PANEL L)

A
B
C
D
E
F
G
H
I
J
K
L
M
N
O
P
Q
R
S
T
U
V

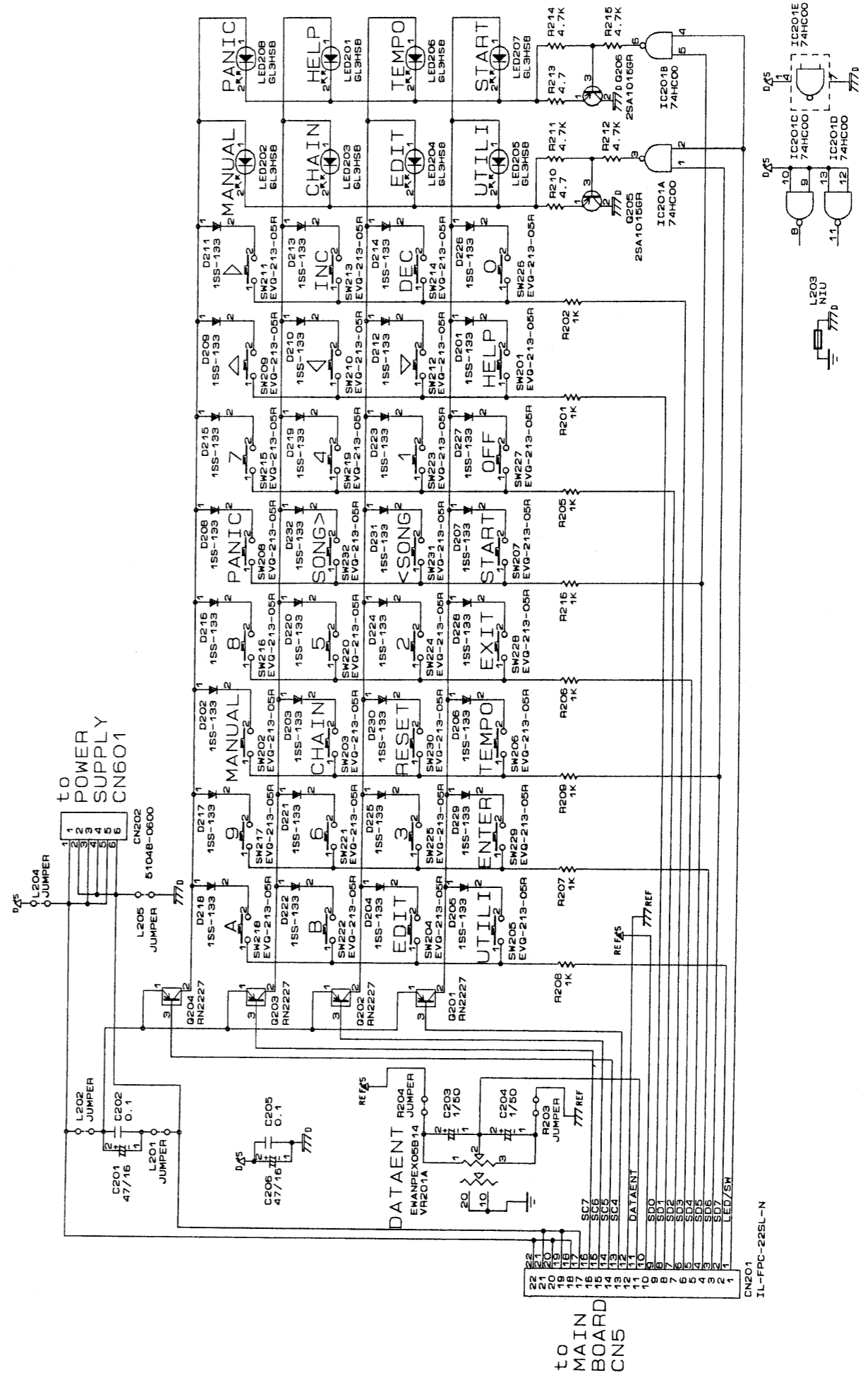


A CIRCUIT BOARD / 基板图 (PANEL R)



View from components side.

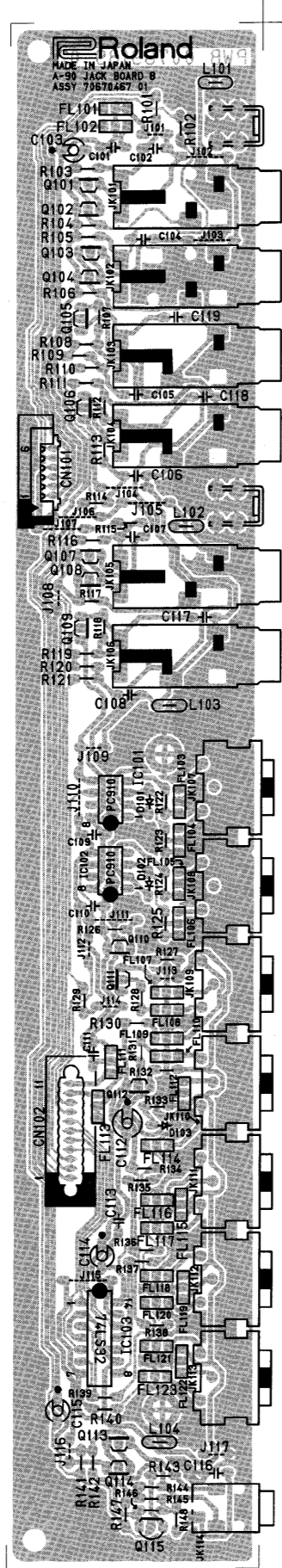
CIRCUIT DIAGRAM / 回路图 (PANEL R)



1 2 3 4 5 6 7 8 9 10 11 12 13 14 15 16 17 18 19 20 21 22 23 24 25 26 27 28 29 30 31 32 33 34 35 36 37 38 39 40

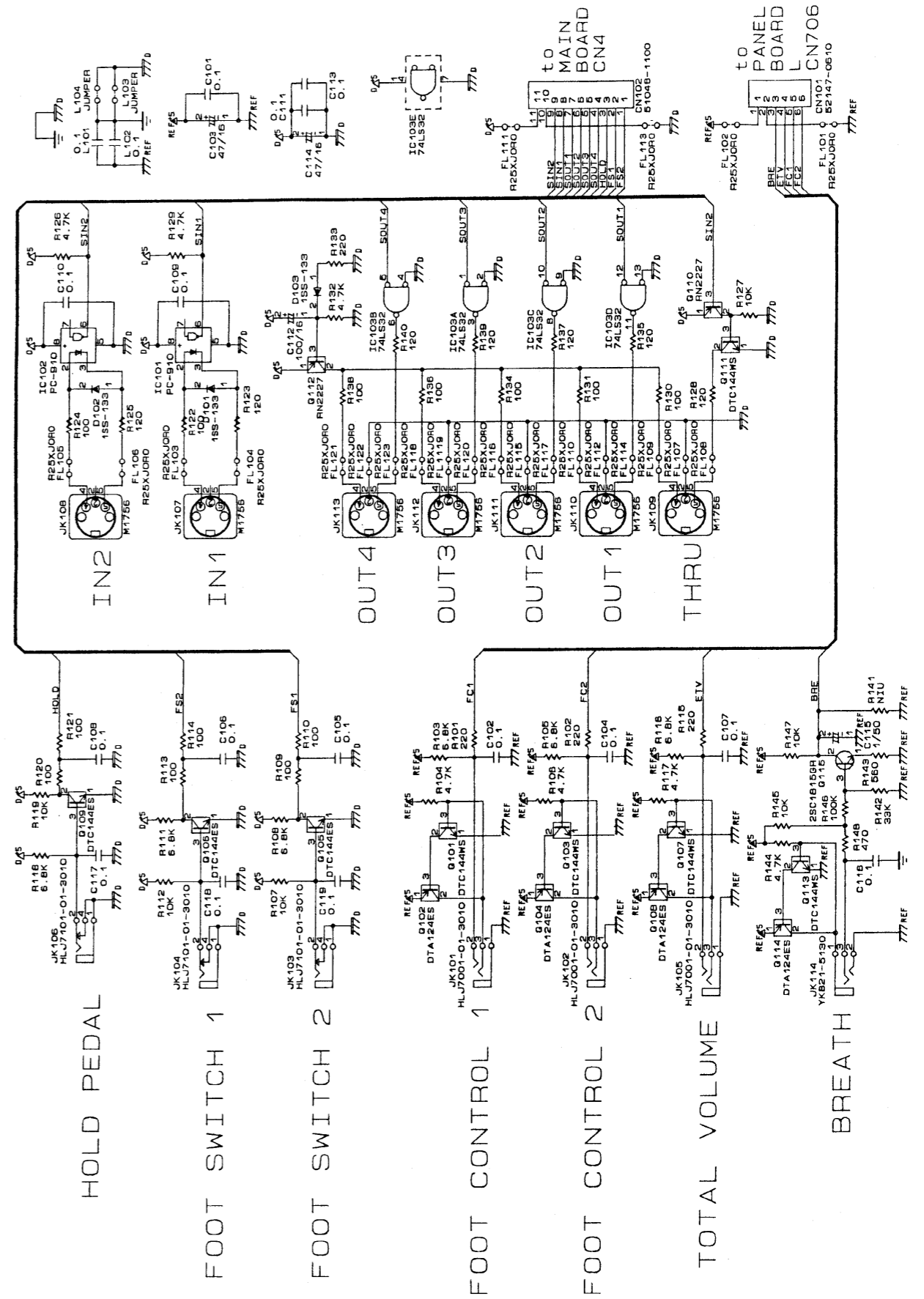
A CIRCUIT BOARD / 基板図 (JACK B)

B
C
D
E
F
G
H
I
J
K
L
M
N
O
P
Q
R
S
T
U
V



View from components side.

CIRCUIT DIAGRAM / 回路図 (JACK B)

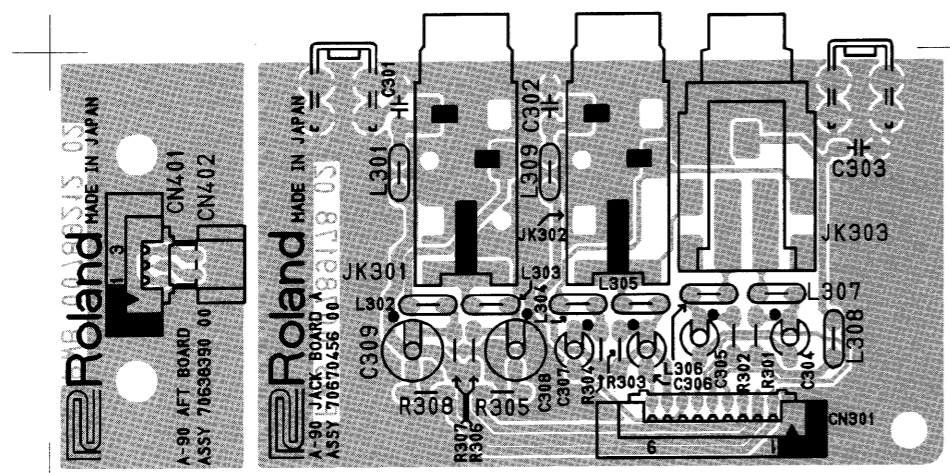


A CIRCUIT BOARD / 基板図 (JACK A / AFT)

CIRCUIT DIAGRAM / 回路図 (JACK A / AFT)

NOTE

Use an AFT BOARD whose circuit board number has last digits identical to the PANEL L BOARD. It is not possible to use a unit with last digits of 00 together with a unit of last digits 01 or 02. (Circuit boards with last digits of 01 and 02 are identical.)
 AFT BOARDは基板の末尾番号がPANEL L BOARDと同じ物を使用してください。
 末尾番号が00の物と01,02の物を組み合わせて使う事はできません。(末尾番号が01と02の基板は同等のものです)

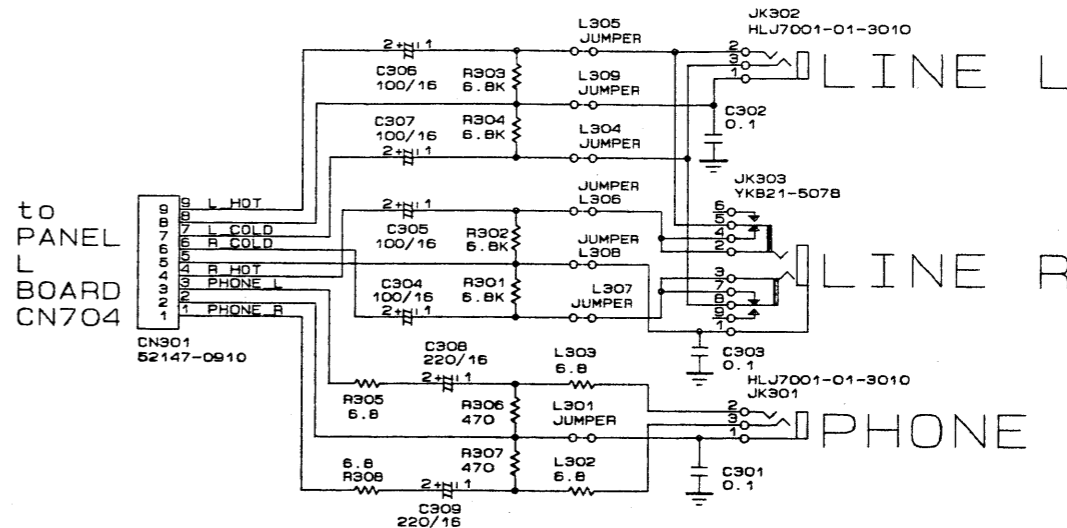


AFT BOARD

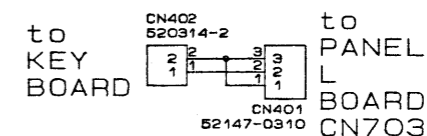
JACK A BOARD

View from components side.

JACK A BOARD



AFT BOARD (last digits/末尾番号 01,02)



Cautions and modification procedure for the AFT BOARD

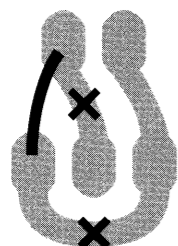
AFT BOARDに関する注意/改造法

Caution: Use an AFT BOARD whose circuit board number has last digits identical to the PANEL L BOARD. It is not possible to use a unit with last digits of 00 together with a unit of last digits 01 or 02. (Circuit boards with last digits of 01 and 02 are identical.)

注意: AFT BOARDは基板の末尾番号がPANEL L BOARDと同じ物を使用してください。末尾番号が00の物と01,02の物を組み合わせて使う事はできません。(末尾番号が01と02の基板は同等のものです)

◇ Using a 01 or 02 AFT BOARD as a 00 PANEL L BOARD

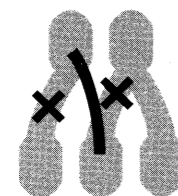
◇ 末尾番号が01,02のAFT BOARDを00のPANEL L BOARDに使用する方法



- ✗ Cutting/カットする
- ┌ Jointing a jamper wire/ジャンパー線を付ける

◇ Using a 00 AFT BOARD as a 01 or 02 PANEL L BOARD

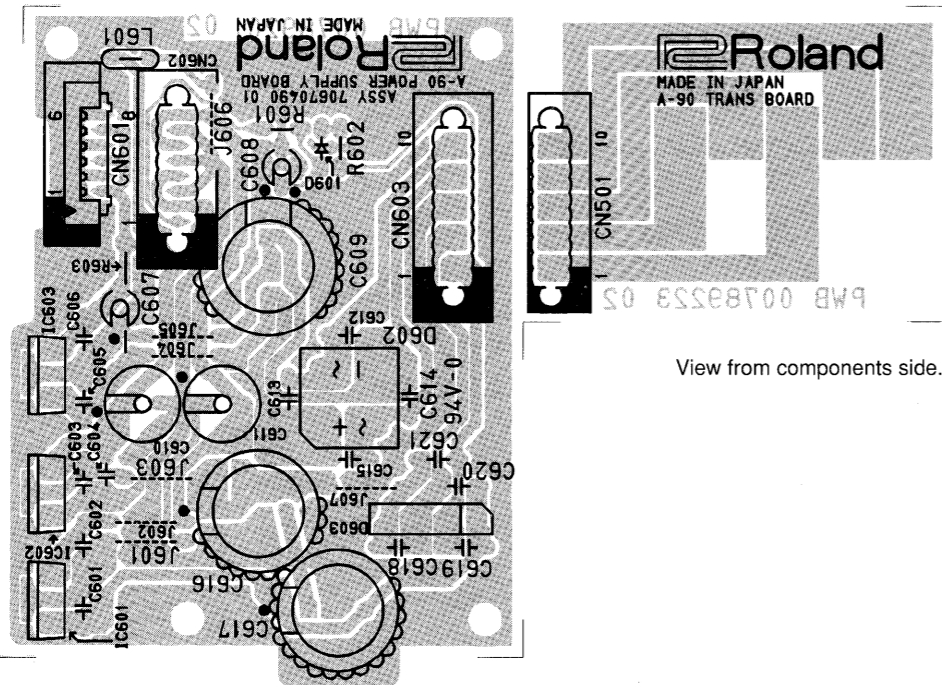
◇ 末尾番号が00のAFT BOARDを01,02のPANEL L BOARDに使用する方法



- ✗ Cutting/カットする
- ┌ Jointing a jamper wire/ジャンパー線を付ける

1 2 3 4 5 6 7 8 9 10 11 12 13 14 15 16 17 18 19 20 21 22 23 24 25 26 27 28 29 30 31 32 33 34 35 36 37 38 39 40

A CIRCUIT BOARD / 基板図 (PS-TR)

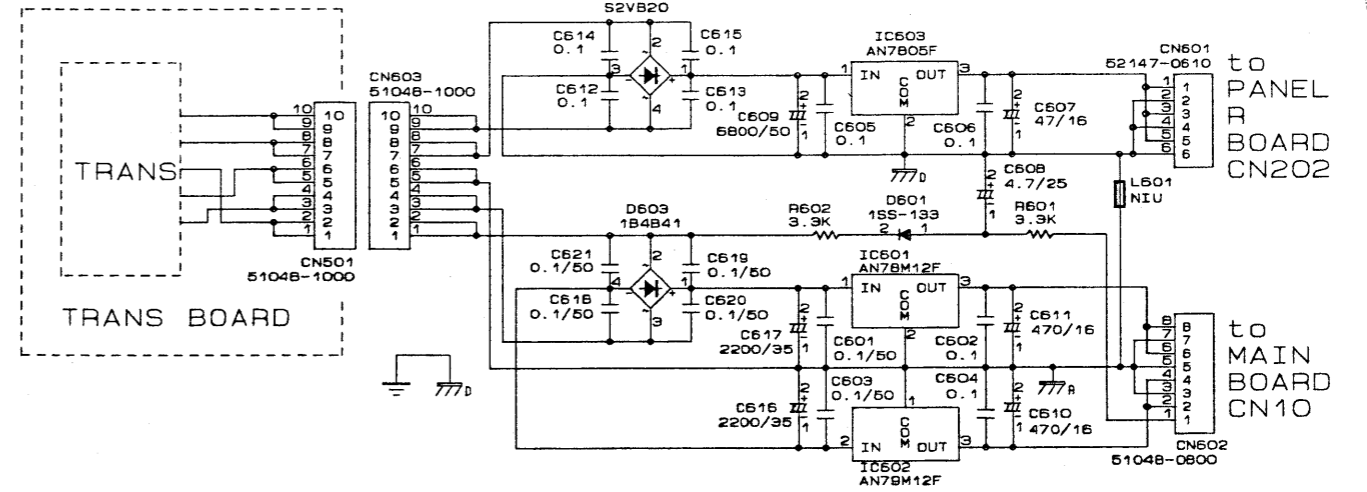


View from components side.

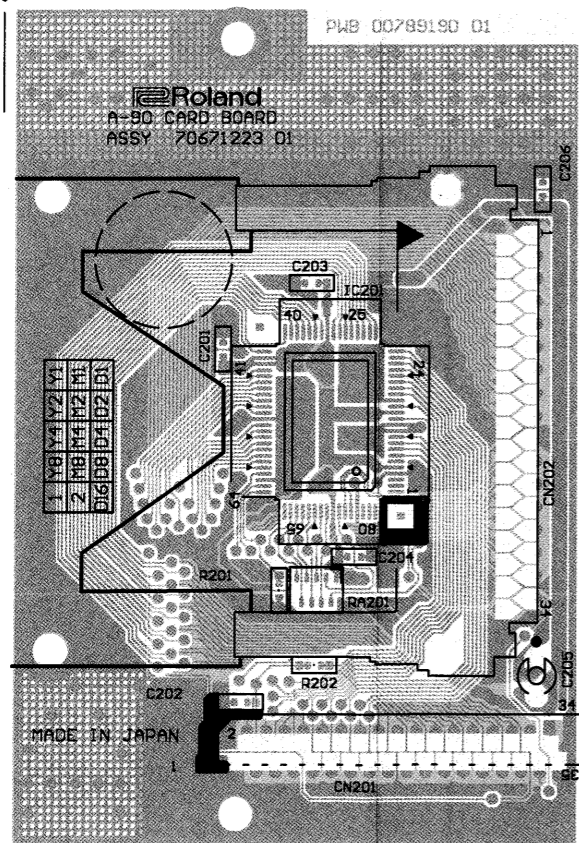
PS BOARD

TRANS BOARD

CIRCUIT DIAGRAM / 回路図 (PS-TR)



CIRCUIT BOARD / 基板図 (CARD)



View from components side.

CIRCUIT DIAGRAM / 回路図 (CARD)

